

## Excellent Integrated System Limited

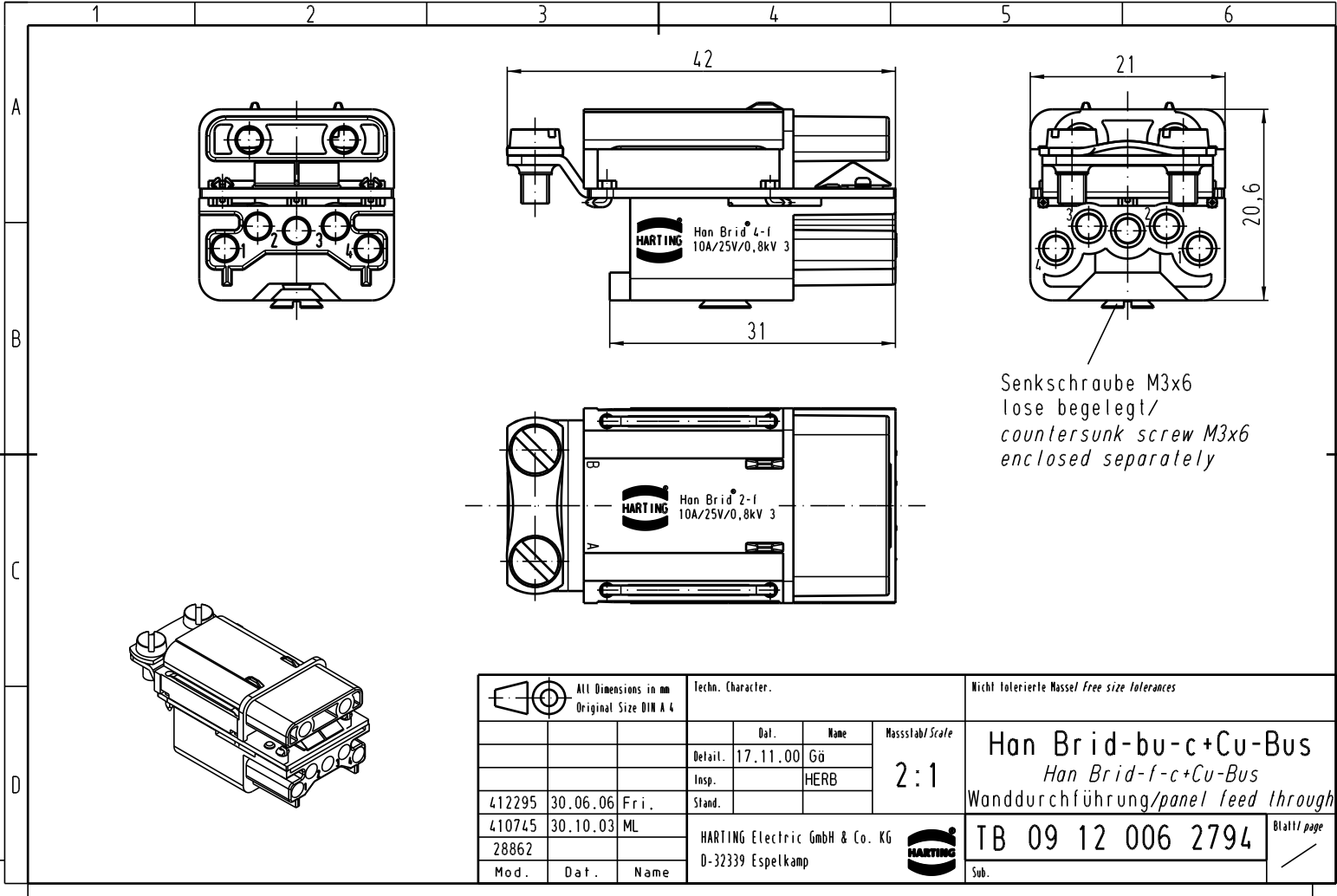
Stocking Distributor

Click to view price, real time Inventory, Delivery & Lifecycle Information:

[Harting](#)  
[09120062794](#)

For any questions, you can email us directly:  
[sales@integrated-circuit.com](mailto:sales@integrated-circuit.com)

Alle Rechte vorbehalten/ All rights reserved



Senkschraube M3x6  
lose beigelegt/  
countersunk screw M3x6  
enclosed separately

All Dimensions in mm Original Size DIN A 4			Techn. Character.			Nicht tolerierte Masse/ free size tolerances		
				Dat.	Name	Massestab/Scale <b>2:1</b>	<b>Hon Brid-bu-c+Cu-Bus</b> <i>Hon Brid-f-c+Cu-Bus</i> Wanddurchführung/panel lead through	
			Detail.	17.11.00	Gö			
			Insp.		HERB			
412295	30.06.06	Fri.	Stand.				<b>TB 09 12 006 2794</b> Sub.	
410745	30.10.03	ML	HARTING Electric GmbH & Co. KG					
28862			D-32339 Espelkamp					
Mod.	Dat.	Name					Blatt/ page	