

Excellent Integrated System Limited

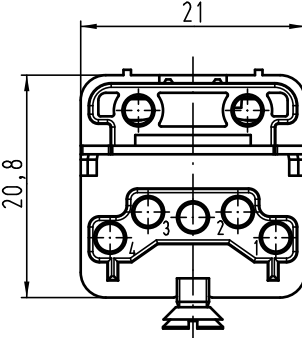
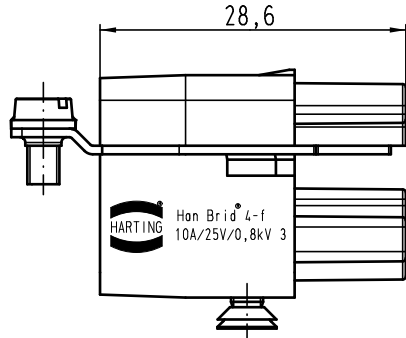
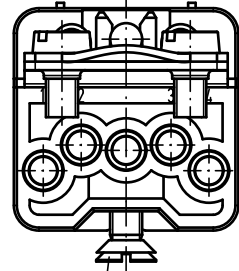
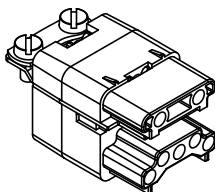






Stocking Distributor

Click to view price, real time Inventory, Delivery & Lifecycle Information:

[Harting](#)
[09120063111](#)

For any questions, you can email us directly:
sales@integrated-circuit.com

Alle Rechte vorbehalten/ All rights reserved

	5	4	3	2	1																																																														
D																																																																			
C																																																																			
B	 <p style="text-align: right;">Senkschraube M3x6 lose beigelegt countersunk screw M3x6 enclosed separately</p>																																																																		
A		<table border="1" style="width:100%; border-collapse: collapse;"> <tr> <td rowspan="4" style="text-align: center;">  </td> <td colspan="3" style="text-align: center;">All Dimensions in mm Original Size DIN A 4</td> <td colspan="3" style="text-align: center;">Techn. Character.</td> <td colspan="3" style="text-align: center;">Nicht tolerierte Masse/ Free size tolerances</td> </tr> <tr> <td></td> <td></td> <td></td> <td style="text-align: center;">Dat.</td> <td style="text-align: center;">Name</td> <td style="text-align: center;">Maststab/Scale</td> <td colspan="3" rowspan="3" style="text-align: center; vertical-align: middle;"> Han Brid-F-c + Cu-Bus <i>Han Brid-f-c + Cu-Bus</i> Kabelseite / cableside </td> </tr> <tr> <td></td> <td></td> <td></td> <td style="text-align: center;">Detail.</td> <td style="text-align: center;">21.03.11</td> <td style="text-align: center;">Ho</td> <td rowspan="2" style="text-align: center; vertical-align: middle; font-size: 2em;">2:1</td> </tr> <tr> <td></td> <td></td> <td></td> <td style="text-align: center;">Insp.</td> <td></td> <td style="text-align: center;">TIE</td> </tr> <tr> <td></td> <td></td> <td></td> <td style="text-align: center;">Stand.</td> <td></td> <td></td> <td></td> </tr> <tr> <td style="text-align: center;">B</td> <td style="text-align: center;">03.05.12</td> <td style="text-align: center;">Ho</td> <td colspan="3" rowspan="3" style="text-align: center;"> HARTING Electric GmbH & Co. KG D-32339 Espelkamp </td> <td colspan="3" rowspan="3" style="text-align: center;">  </td> <td style="text-align: center;">TB 09 12 006 3111</td> <td style="text-align: center;">Blatt/ page</td> </tr> <tr> <td style="text-align: center;">A</td> <td></td> <td></td> <td colspan="3" style="text-align: center;">Sub. TB 09 12 006 3111 v. 27.11.02</td> <td></td> </tr> <tr> <td style="text-align: center;">Mod.</td> <td style="text-align: center;">Dat.</td> <td style="text-align: center;">Name</td> <td></td> <td></td> <td></td> </tr> </table>				All Dimensions in mm Original Size DIN A 4			Techn. Character.			Nicht tolerierte Masse/ Free size tolerances						Dat.	Name	Maststab/Scale	Han Brid-F-c + Cu-Bus <i>Han Brid-f-c + Cu-Bus</i> Kabelseite / cableside						Detail.	21.03.11	Ho	2:1				Insp.		TIE				Stand.				B	03.05.12	Ho	HARTING Electric GmbH & Co. KG D-32339 Espelkamp						TB 09 12 006 3111	Blatt/ page	A			Sub. TB 09 12 006 3111 v. 27.11.02				Mod.	Dat.	Name			
	All Dimensions in mm Original Size DIN A 4			Techn. Character.			Nicht tolerierte Masse/ Free size tolerances																																																												
				Dat.		Name	Maststab/Scale	Han Brid-F-c + Cu-Bus <i>Han Brid-f-c + Cu-Bus</i> Kabelseite / cableside																																																											
				Detail.		21.03.11	Ho				2:1																																																								
				Insp.		TIE																																																													
			Stand.																																																																
B	03.05.12	Ho	HARTING Electric GmbH & Co. KG D-32339 Espelkamp						TB 09 12 006 3111	Blatt/ page																																																									
A									Sub. TB 09 12 006 3111 v. 27.11.02																																																										
Mod.	Dat.	Name																																																																	