

Excellent Integrated System Limited

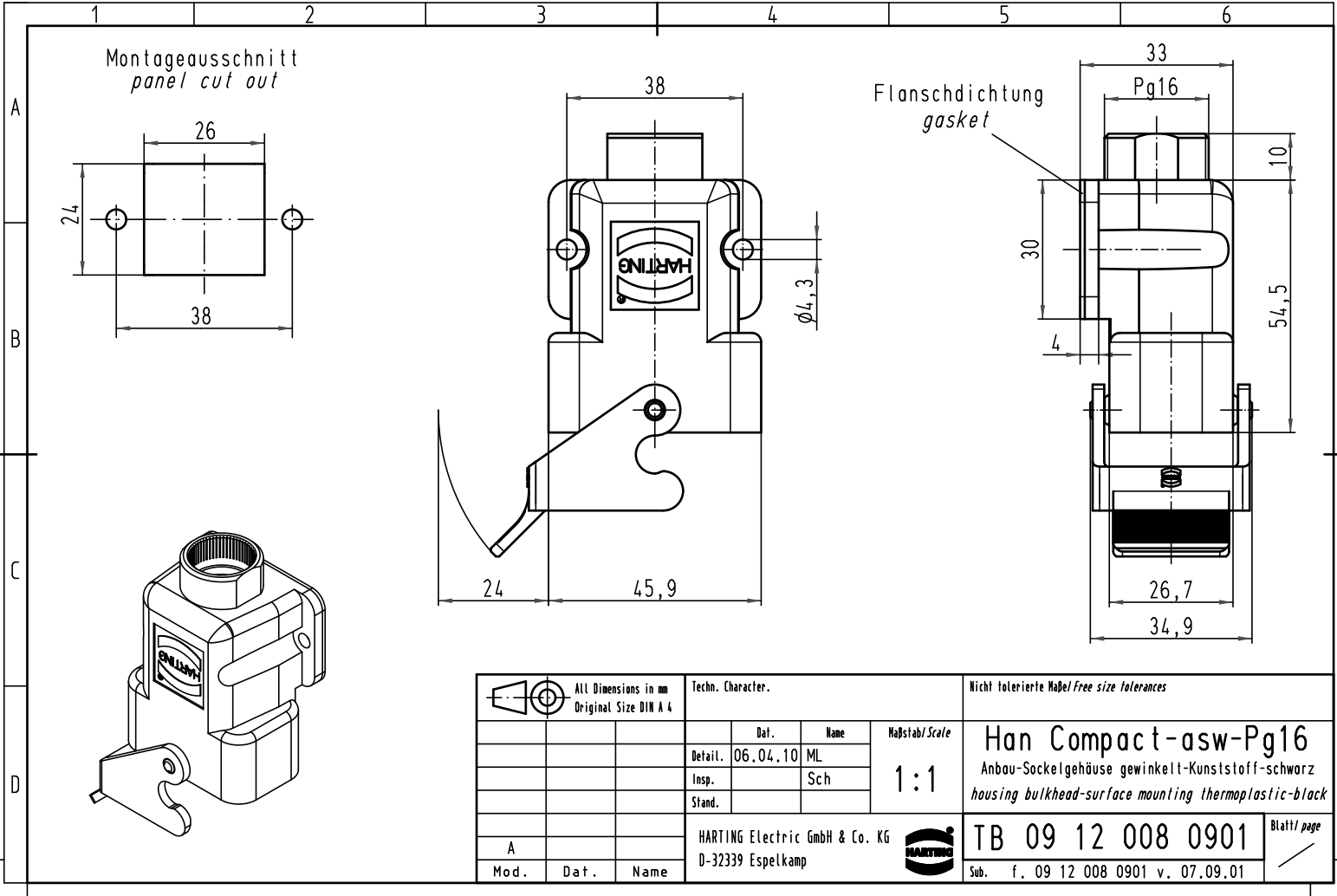
Stocking Distributor

Click to view price, real time Inventory, Delivery & Lifecycle Information:

[Harting](#)
[09120080901](#)

For any questions, you can email us directly:
sales@integrated-circuit.com

Alle Rechte vorbehalten/ All rights reserved



			Techn. Character.			Nicht tolerierte Maß/Free size tolerances			
			Dat. 06.04.10	Name ML	Maßstab/Scale 1:1	Han Compact-asw-Pg16 Anbau-Sockelgehäuse gewinkelt-Kunststoff-schwarz housing bulkhead-surface mounting thermoplastic-black			
			Insp.	Sch					
			Stand.						
A			HARTING Electric GmbH & Co. KG D-32339 Espelkamp				TB 09 12 008 0901		Blatt/ page
Mod.	Dat.	Name							Sub. f. 09 12 008 0901 v. 07.09.01