

Excellent Integrated System Limited

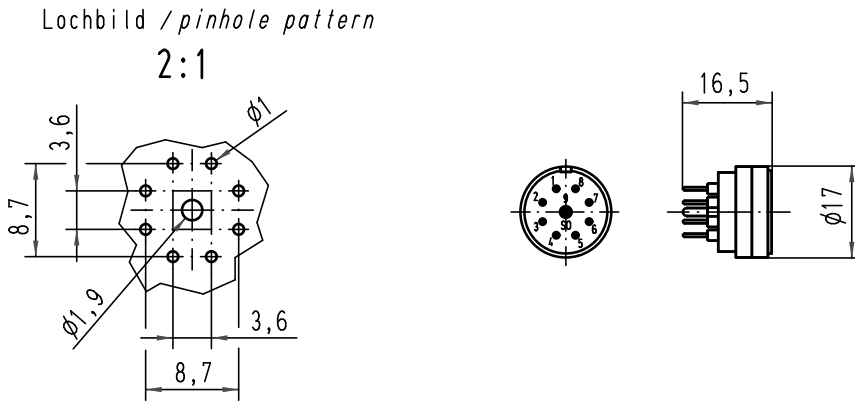
Stocking Distributor



Click to view price, real time Inventory, Delivery & Lifecycle Information:

[Harting](#)
[09152092704](#)

For any questions, you can email us directly:
sales@integrated-circuit.com

Alle Rechte vorbehalten/ All rights reserved



 All Dimensions in mm Original Size DIN A 4			Techn. Character.			Nicht tolerierte Maß/Free size tolerances		
			Detail.	24.03.97	ML	Maßstab/Scale 1:1	Han 09 R23 Bu-E Buchseneinsatz-Einloetanschluß <i>female insert-PCB solder terminal</i>	
			Insp.		SDT.			
			Stand.					
413155	27.08.07	Ho	HARTING Electric GmbH & Co. KG				TB 09 15 209 2704	
Mod.	Dat.	Name	D-32339 Espelkamp				Sub.	Blatt/ page 