

## Excellent Integrated System Limited

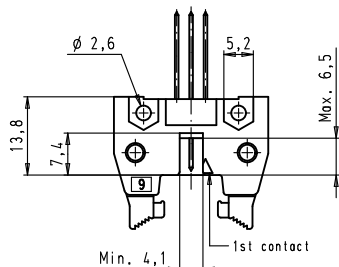
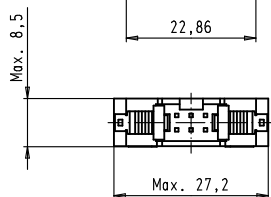
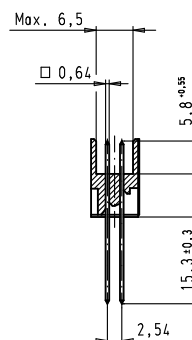
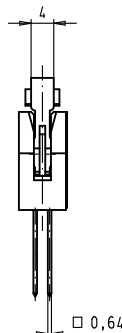
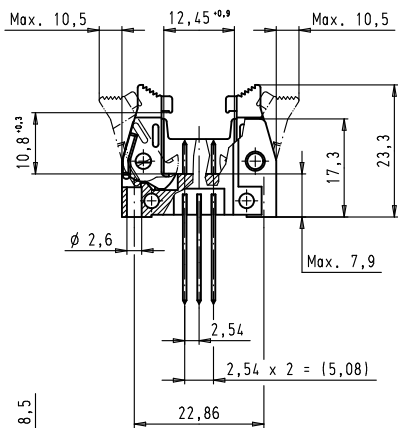
Stocking Distributor

Click to view price, real time Inventory, Delivery & Lifecycle Information:

[Harting](#)  
[09185065917](#)

For any questions, you can email us directly:  
[sales@integrated-circuit.com](mailto:sales@integrated-circuit.com)

Alle Rechte vorbehalten. // rights reserved



09 18 506 7917	3
09 18 506 6917	2
09 18 506 5917	0,76 µm Au
Part number	Performance level

			Det.	Name		SEK 18 Male Connector Standard 06 poles Straight wrap posts Short locking levers DIN A 3	Weight/Score 1,5:1			
			Detail.	19/09/02				CV	All Dim. in mm	
			Insp.						Orig. Size DIN A 3	
34883	12/02/08	SH	Stand.							
31092	19/09/02	CV		HARTING EURL F-95972 Paris						
<b>TB 09 18 506 X917</b>							Sheet/ Page 1 / 1			