

## Excellent Integrated System Limited

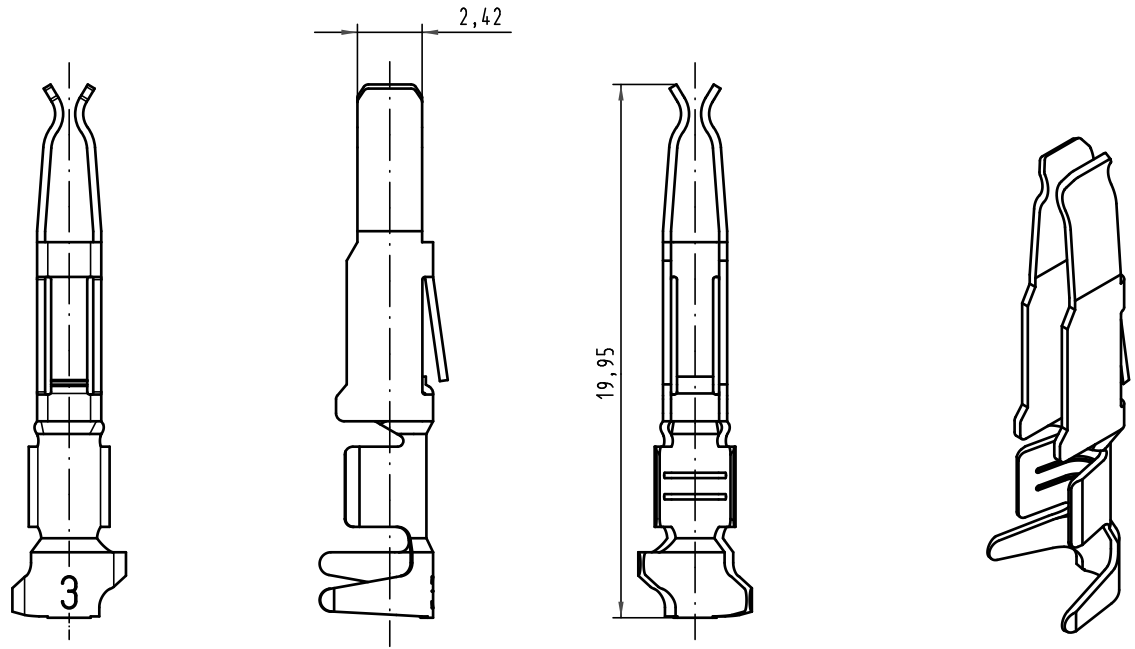
Stocking Distributor



Click to view price, real time Inventory, Delivery & Lifecycle Information:

[Harting](#)  
[09060006462](#)

For any questions, you can email us directly:  
[sales@integrated-circuit.com](mailto:sales@integrated-circuit.com)

Alle Rechte vorbehalten/ All rights reserved



 All Dimensions in mm Original Size DIN A 4			Techn. Character.			Nicht tolerierte Maß/Free size tolerances <i>complementary IEC 60603-2</i>		
						<b>5:1</b>	<b>Bauform/type F-C modul</b> Federkontakt Crimpkontur 3 für 0,5 - 1,5mm <sup>2</sup> Einzelkontakt verzinkt <i>female contact crimp contour 3 for 0,5 - 1,5mm<sup>2</sup></i> <i>single contact tin plated</i>	
			Detail.	16.01.06	Leh.			
			Insp.	16.01.06	kfoe			
			Stand.					
35449	20.11.08	Hage.	HARTING Electronics GmbH & Co. KG				<b>TB 09 06 000 6462</b>	
33227			D-32339 ESPELKAMP					
Mod.	Dat.	Name					Blatt/ page	