

## Excellent Integrated System Limited

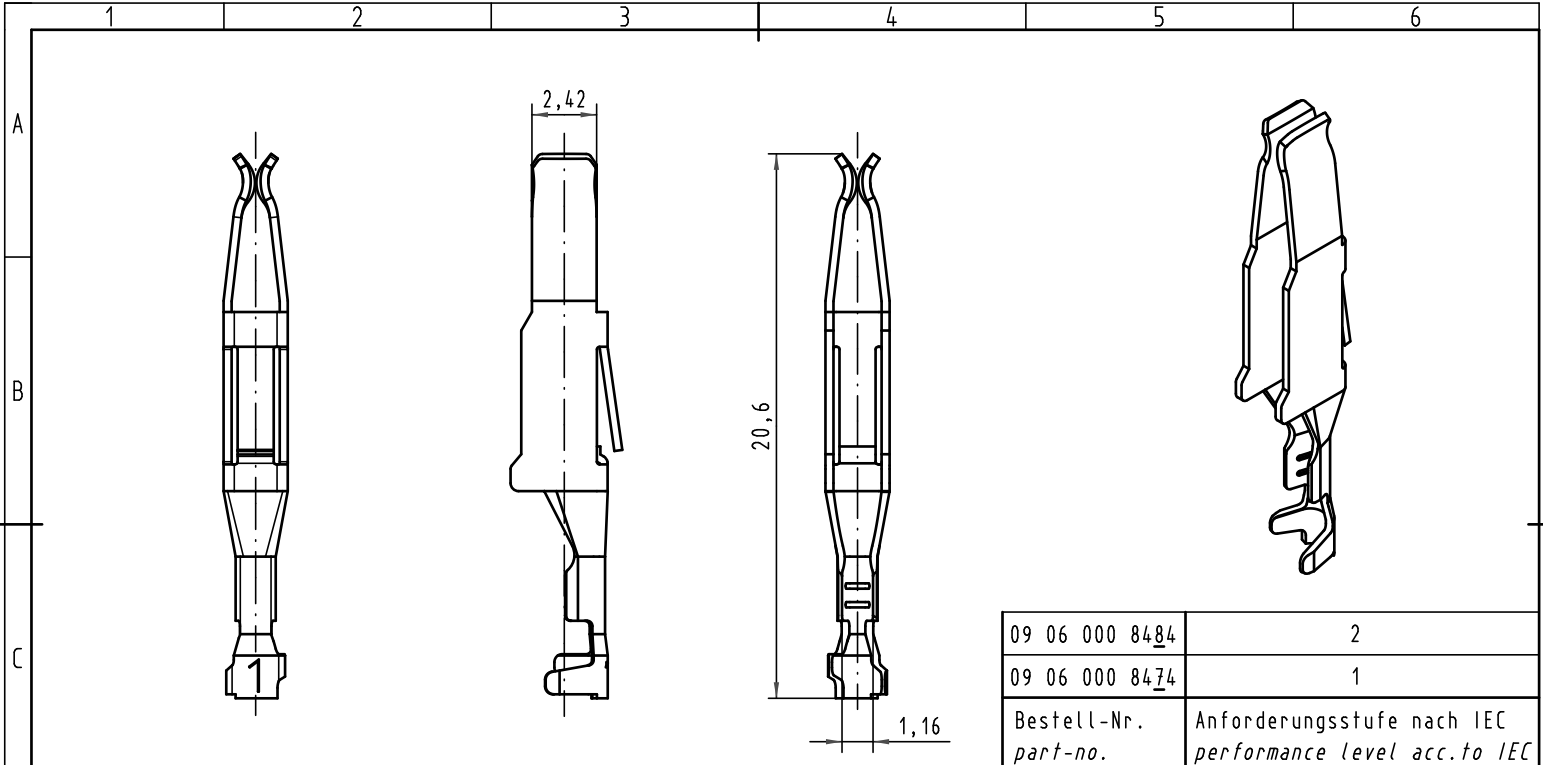
Stocking Distributor

Click to view price, real time Inventory, Delivery & Lifecycle Information:



[Harting](#)  
[09060008474](#)

For any questions, you can email us directly:  
[sales@integrated-circuit.com](mailto:sales@integrated-circuit.com)

Alle Rechte vorbehalten/ All rights reserved



09 06 000 8484	2
09 06 000 8474	1
Bestell-Nr. part-no.	Anforderungsstufe nach IEC performance level acc.to IEC

 All Dimensions in mm Original Size DIN A 4			Techn. Character. <i>complementary IEC 60603-2</i>			Nicht tolerierte Maß/Free size tolerances <i>complementary IEC 60603-2</i>		
			Detail.	17.01.06	Leh.	Maßstab/Scale <b>5:1</b>	<b>Bauform/type F-C crimp</b> Federkontakt Crimpkontur 1 für 0,09 - 0,25mm <sup>2</sup> Einzelkontakt female contact crimp contour 1 for 0,09 - 0,25mm <sup>2</sup> single contact	
			Insp.	17.01.06	Ge.			
			Stand.					
34657	21.08.07	Hage.	HARTING Electronics GmbH & Co. KG				<b>TB 09 06 000 84x4</b>	
33227			D-32339 ESPELKAMP					
Mod.	Dat.	Name					Sub.	