

Excellent Integrated System Limited

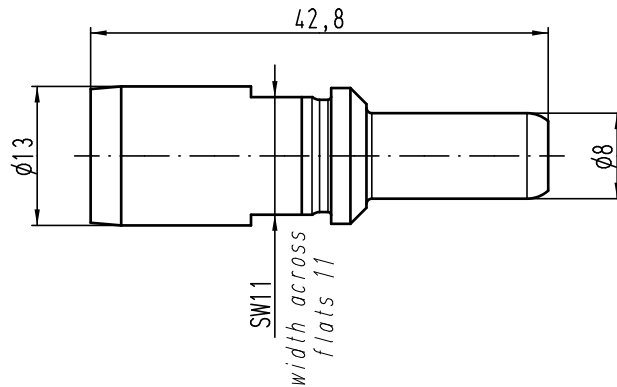
Stocking Distributor

Click to view price, real time Inventory, Delivery & Lifecycle Information:

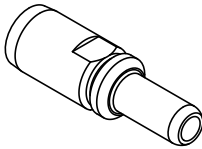
[Harting](#)
[09110006113](#)

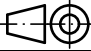

For any questions, you can email us directly:
sales@integrated-circuit.com

Alle Rechte vorbehalten/ All rights reserved



Abisolierlänge: 13mm
 stripping length: 13mm
 Anzugsmoment: 16mm² 25mm² 35mm²
 Tightning torque: 6Nm 7Nm 8Nm
 für Litze 16-35mm², AWG 4-2, feindrähtig
 for stranded wire 16-35mm², AWG 4-2, fine wire



 All Dimensions in mm Original Size DIN A 4			Techn. Character.			Nicht tolerierte Maß/Free size tolerances		
						Maßstab/Scale 2:1	100A Axialschraubkontakt, Stift 100A axial screw contact, male 16-35mm ² versilbert/silver plated	
			Detail.	15.07.11	gru			
			Insp.		Rü			
			Stand.					
A			HARTING Electric GmbH & Co. KG D-32339 Espelkamp				TB 09 11 000 6113	
Mod.	Dat.	Name	Sub.					