

Excellent Integrated System Limited

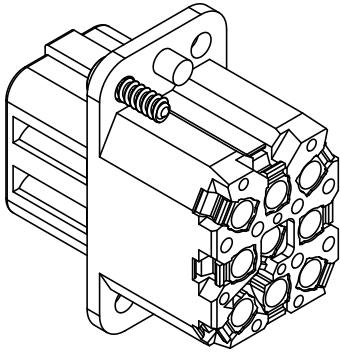
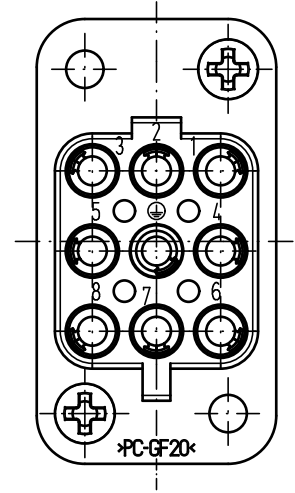
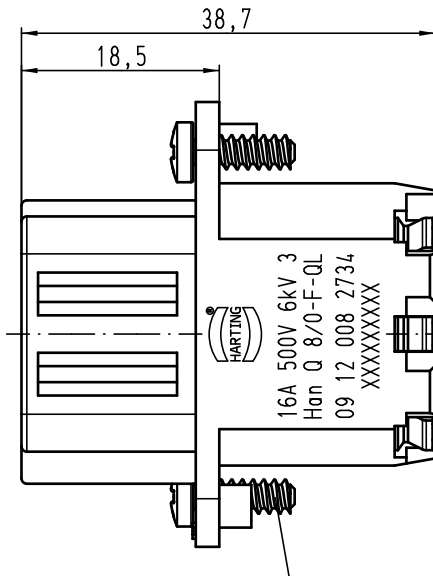
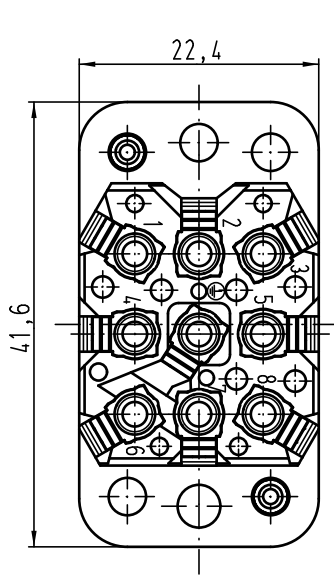
Stocking Distributor

Click to view price, real time Inventory, Delivery & Lifecycle Information:



[Harting](#)
[09120082734](#)

For any questions, you can email us directly:
sales@integrated-circuit.com

Alle Rechte vorbehalten/ All rights reserved



Blechsraube ISO 7049-ST 2,9x9,5-F-H/
self-tapping screw ISO 7049-ST 2,9x9,5-F-H

 All Dimensions in mm Original Size DIN A 4			Techn. Character.			Nicht tolerierte Maß/Free size tolerances		
			Detail.	21.10.11	Ho	Maßstab/Scale 2:1	Han Q8/0-F-QL Buchseneinsatz/female insert	
			Insp.		FER			
			Stand.					
A			HARTING Electric GmbH & Co. KG				TB 09 12 008 2734	
Mod.	Dat.	Name	D-32339 Espelkamp				Sub.	Blatt/ page