

Excellent Integrated System Limited

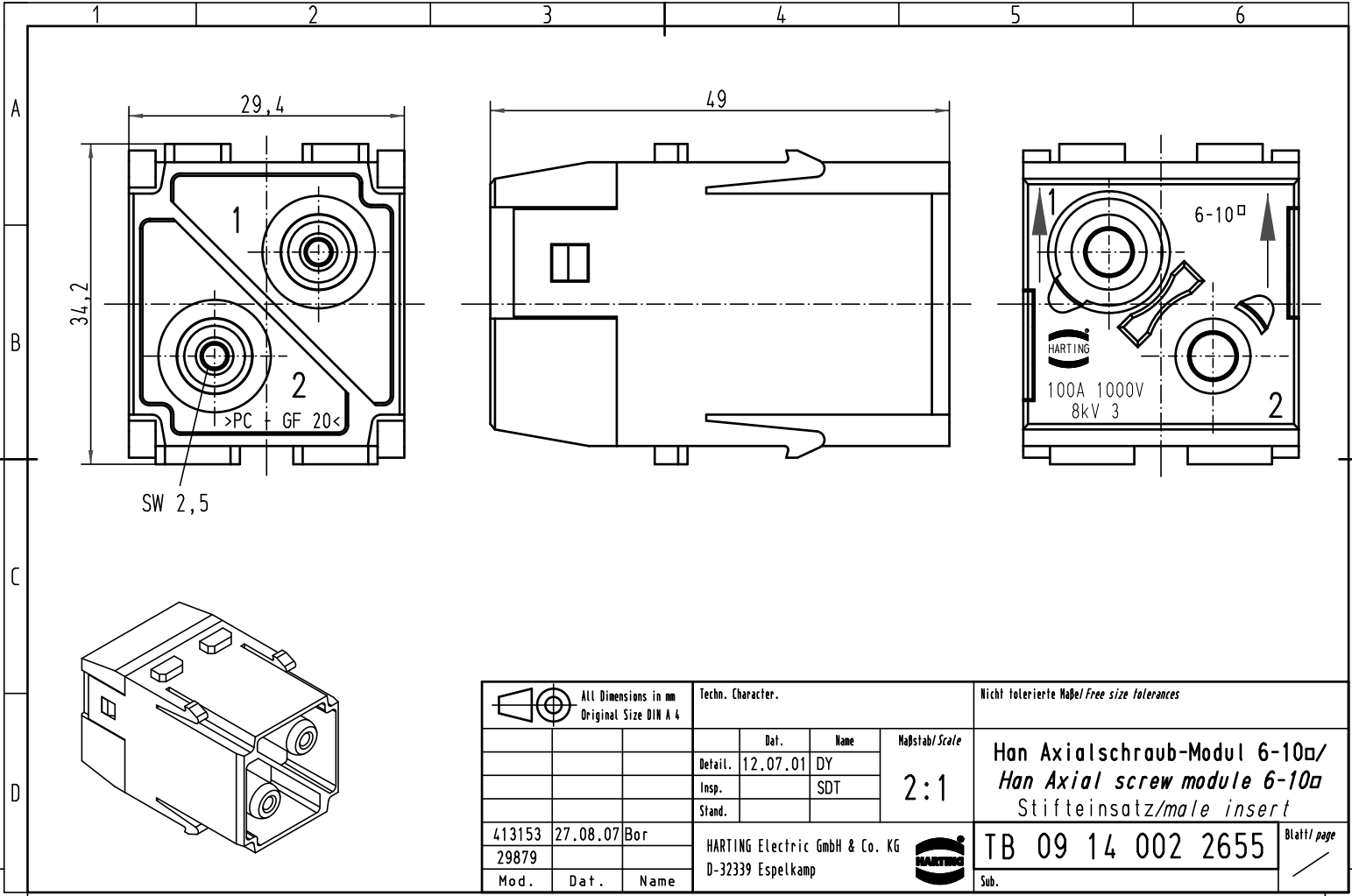
Stocking Distributor

Click to view price, real time Inventory, Delivery & Lifecycle Information:

[Harting](#)
[09140022655](#)

For any questions, you can email us directly:
sales@integrated-circuit.com

Alle Rechte vorbehalten/ All rights reserved



All Dimensions in mm Original Size DIN A 4			Techn. Character.			Nicht tolerierte Maß/Free size tolerances		
			Detail.	Date	Name	Maßstab/Scale 2:1	Han Axialschraub-Modul 6-10□/ Han Axial screw module 6-10□ Stifteinsatz/male insert	
			Insp.		SDT			
			Stand.					
413153	27.08.07	Bor	HARTING Electric GmbH & Co. KG				TB 09 14 002 2655	
29879			D-32339 Espelkamp					
Mod.	Dat.	Name					Blatt/ page	
							Sub.	