

Excellent Integrated System Limited

Stocking Distributor

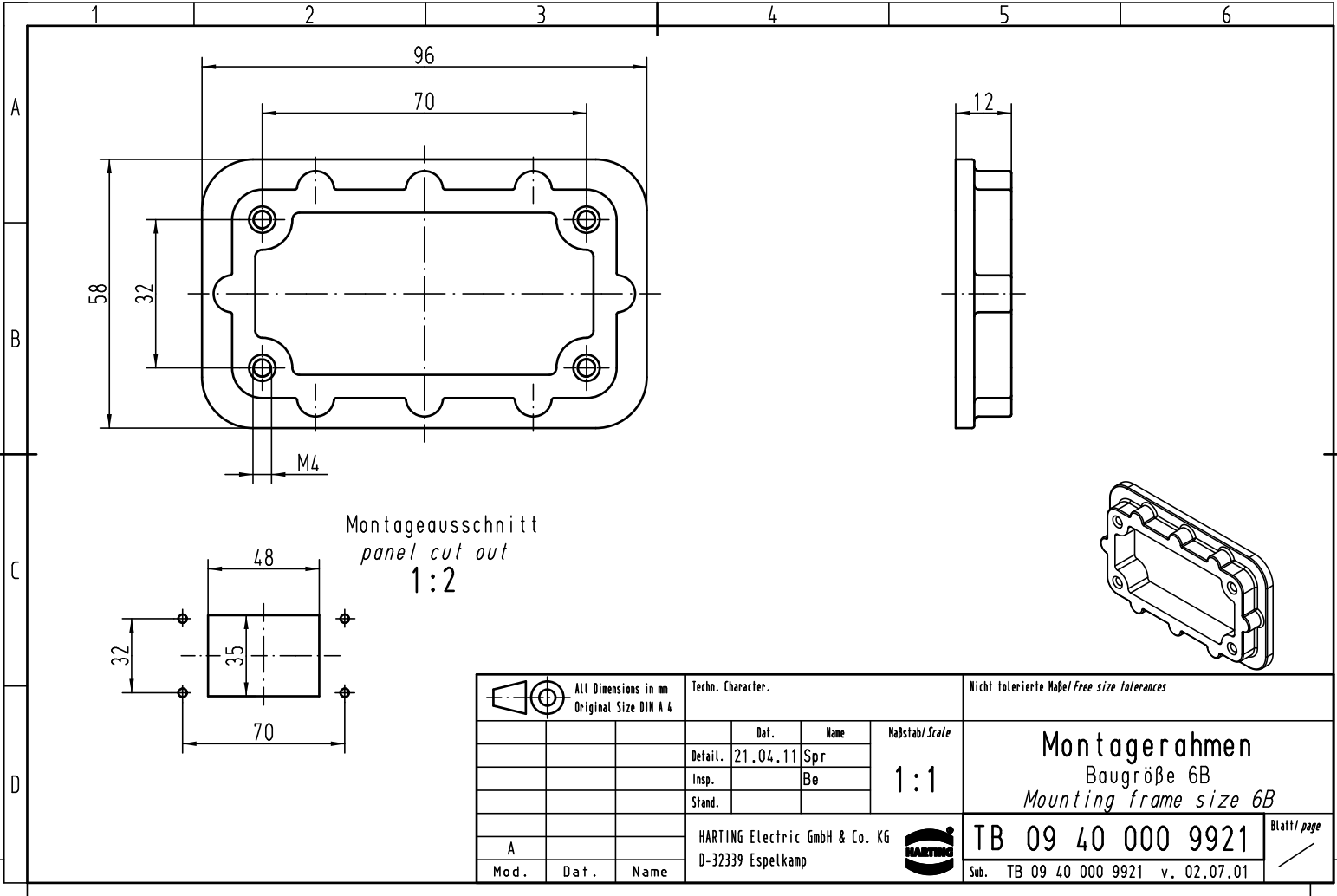
Click to view price, real time Inventory, Delivery & Lifecycle Information:

[Harting](#)



[09400009921](#)

For any questions, you can email us directly:

sales@integrated-circuit.com



Montageausschnitt
panel cut out
1:2

 All Dimensions in mm Original Size DIN A 4			Techn. Character.			Nicht tolerierte Maß/Free size tolerances			
			Detail.	21.04.11	Spr	Maßstab/Scale 1:1	Montagerahmen Baugröße 6B Mounting frame size 6B		
			Insp.		Be				
			Stand.						
A			HARTING Electric GmbH & Co. KG				TB 09 40 000 9921		Blatt/ page
Mod.	Dat.	Name	D-32339 Espelkamp				Sub. TB 09 40 000 9921 v. 02.07.01		