

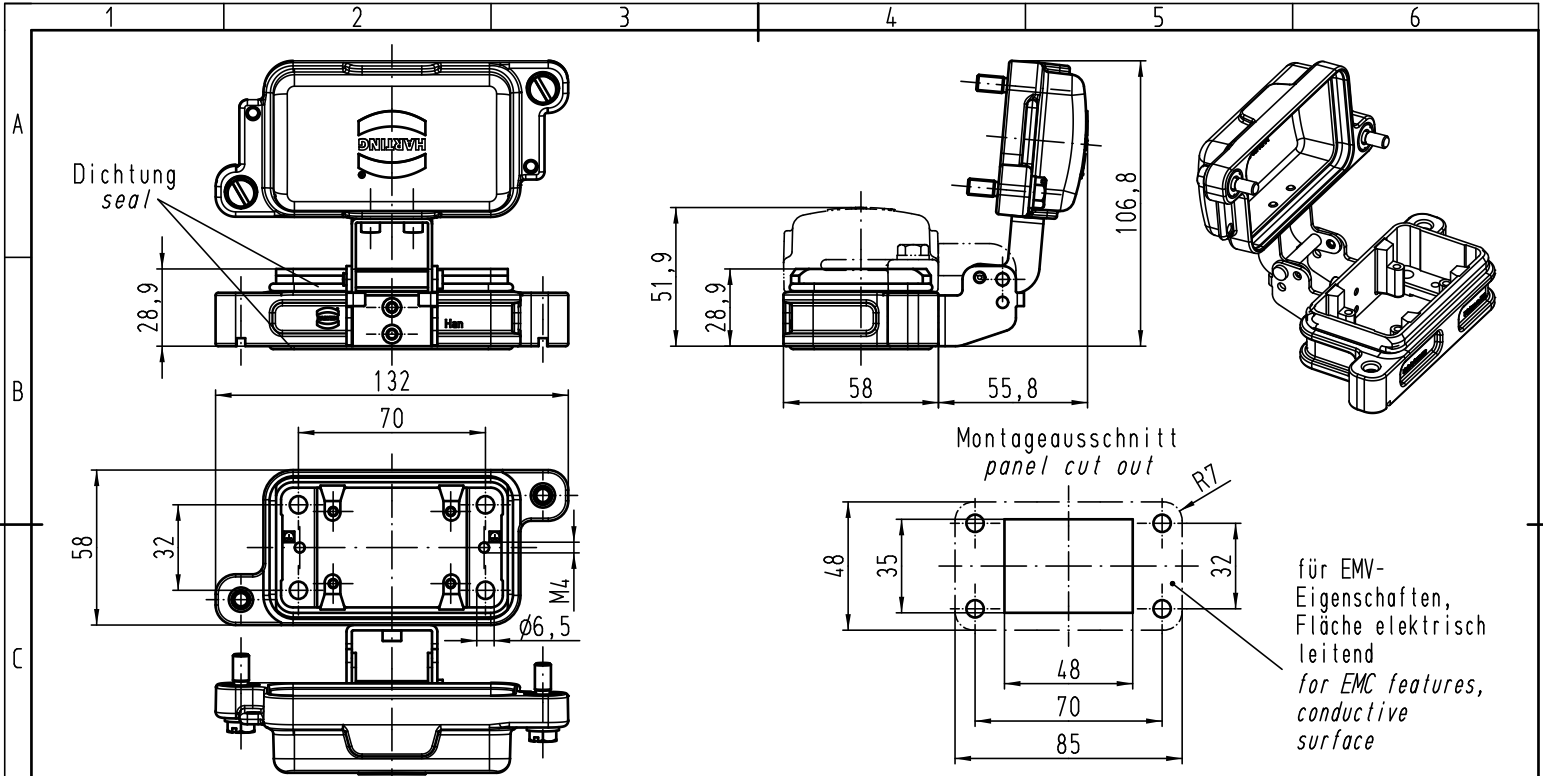
## Excellent Integrated System Limited

Stocking Distributor

Click to view price, real time Inventory, Delivery & Lifecycle Information:

[Harting](#)  
[09400060317](#)

For any questions, you can email us directly:  
[sales@integrated-circuit.com](mailto:sales@integrated-circuit.com)



All Dimensions in mm Original Size DIN A 4			Techn. Character.			Nicht tolerierte Maß/Free size tolerances			
						<b>Han 6HPR-agg-SV-K</b> Anbaugehäuse für Schraubverschluss <i>housing bulkhead mounting for screw locking system</i>			
			Detail.	23.05.11	Spr				<b>1:1</b>
			Insp.		Be				
			Stand.						
A			HARTING Electric GmbH & Co. KG				<b>TB 09 40 006 0317</b>		Blatt/ page Sub. TB 09 40 006 0317 v. 02.04.08
Mod.	Dat.	Name	D-32339 Espelkamp						