

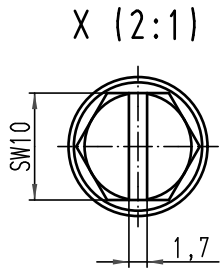
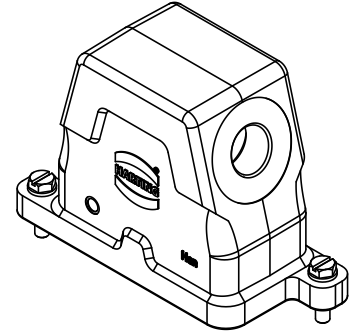
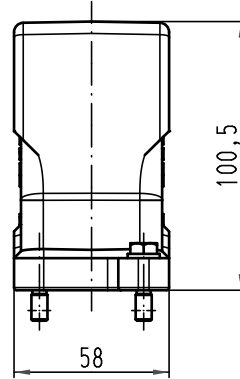
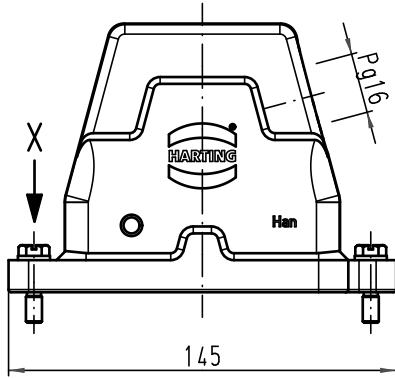
## Excellent Integrated System Limited



Stocking Distributor

Click to view price, real time Inventory, Delivery & Lifecycle Information:

[Harting](#)  
[09400100511](#)

For any questions, you can email us directly:  
[sales@integrated-circuit.com](mailto:sales@integrated-circuit.com)



 All Dimensions in mm Original Size DIN A 4			Techn. Character.			Nicht tolerierte Maß/Free size tolerances	
			Detail.	Dat.	Name	Maßstab/Scale <b>1:2</b>	<b>Han 10HPR-gs-SV-16</b> Tüllengehäuse mit Schraubverschluss hood with screw locking system
			Insp.	10.03.11	gru		
			Stand.		Be		
A			HARTING Electric GmbH & Co. KG				<b>TB 09 40 010 0511</b>
Mod.	Dat.	Name	D-32339 Espelkamp				