

## Excellent Integrated System Limited

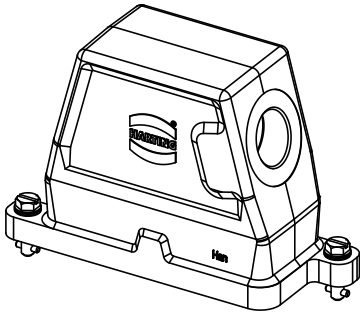
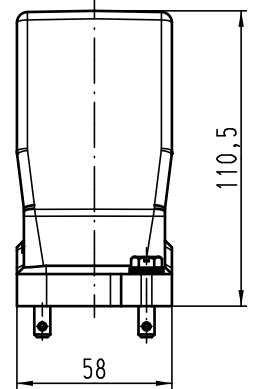
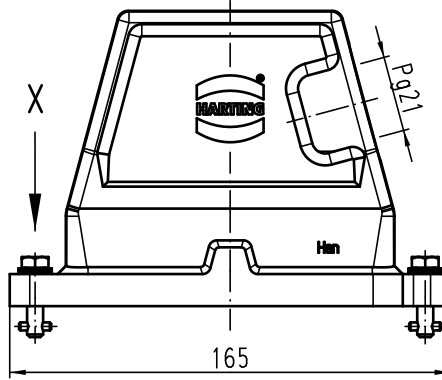
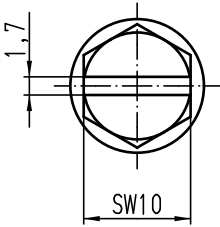
Stocking Distributor


Click to view price, real time Inventory, Delivery & Lifecycle Information:

[Harting](#)  
[09400160502](#)

For any questions, you can email us directly:  
[sales@integrated-circuit.com](mailto:sales@integrated-circuit.com)

X(2:1)



All Dimensions in mm Original Size DIN A 4			Techn. Character.			Nicht tolerierte Maß/Free size tolerances	
				Dat.	Name	Maßstab/Scale <b>1:2</b>	Han 16HPR-gs-KV-21 Tüllengehäuse mit Knebelverschluß hood with toggle locking system
			Detail.	05.07.11	ML		
			Insp.		Be		
			Stand.				
A			HARTING Electric GmbH & Co. KG				TB 09 40 016 0502
Mod.	Dat.	Name	D-32339 Espelkamp				
						Sub.	TB 09 40 016 0502 v. 05.03.99

Blatt/ page