

Excellent Integrated System Limited

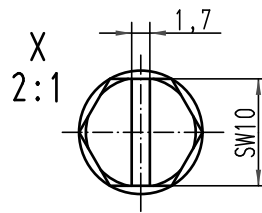
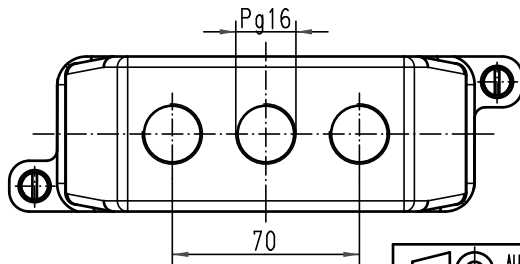
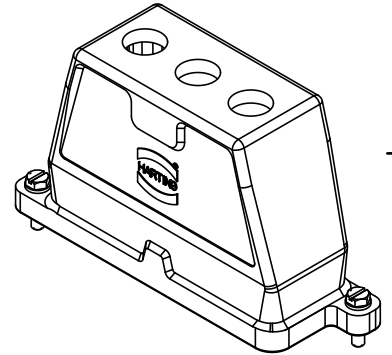
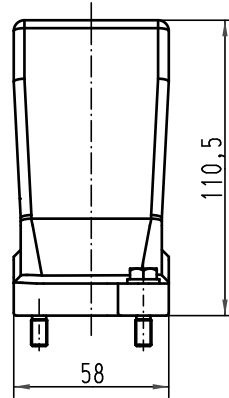
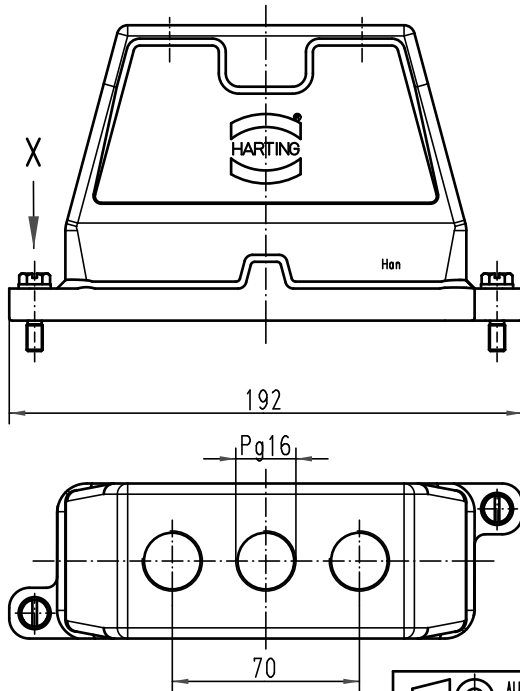
Stocking Distributor


Click to view price, real time Inventory, Delivery & Lifecycle Information:

[Harting](#)
[09400240461](#)

For any questions, you can email us directly:
sales@integrated-circuit.com

Alle Rechte vorbehalten/ All rights reserved



| All Dimensions in mm Original Size DIN A 4 | | | Techn. Character. | | | Nicht tolerierte Maß/Free size tolerances | |
|---|----------|------|--------------------------------|----------|-----|---|---|
| | | | | | | Maßstab/Scale 1:2 | Han 24HPR-gg3-SV-16 Tüllengehäuse mit Schraubverschluß hood with screw locking system |
| | | | Detail. | 05.03.99 | PL | | |
| | | | Insp. | | SDT | | |
| | | | Stand. | | | | |
| 414242 | 16.10.08 | Bor | HARTING Electric GmbH & Co. KG | | |  | TB 09 40 024 0461 |
| 410043 | 02.05.02 | DY | D-32339 Espelkamp | | | | |
| Mod. | Dat. | Name | | | | Sub. | 09 40 024 0461 v. 19.12.96 |

Blatt/ page