

## Excellent Integrated System Limited

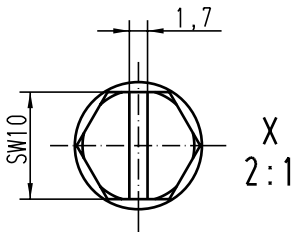
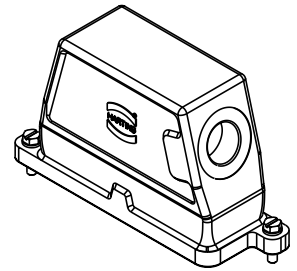
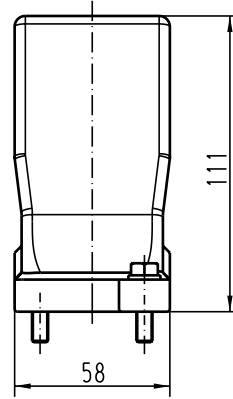
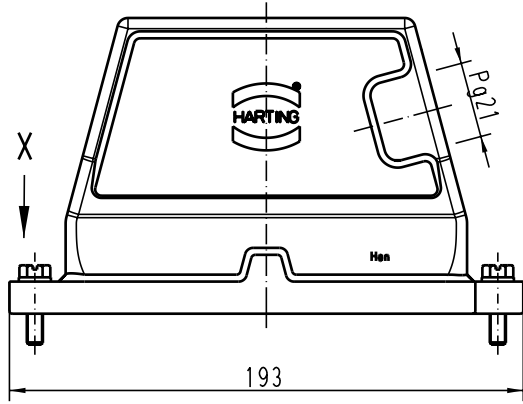
Stocking Distributor



Click to view price, real time Inventory, Delivery & Lifecycle Information:

[Harting](#)  
[09400240512](#)

For any questions, you can email us directly:  
[sales@integrated-circuit.com](mailto:sales@integrated-circuit.com)

Alle Rechte vorbehalten/ All rights reserved



 All Dimensions in mm Original Size DIN A 4		Techn. Character.			Nicht lotierte Masse/ free size tolerances	
			Dat.	Name	Maststab/Scale 1:2 2:1	<b>Han 24HPR-gs-SV-21</b> Tüllengehäuse mit Schraubverschluß/ hoods with screw locking system
			Detail.	05.03.99 PL		
			Insp.	SDT		
			Stand.			
410011	05.04.02	DY	HARTING Electric GmbH & Co. KG			<b>TB 09 40 024 0512</b> Sub. TB 09 40 0.. 051. v. 15.02.95
25559			D-32339 Espelkamp			
Mod.	Dat.	Name				Blatt/ page