

Excellent Integrated System Limited

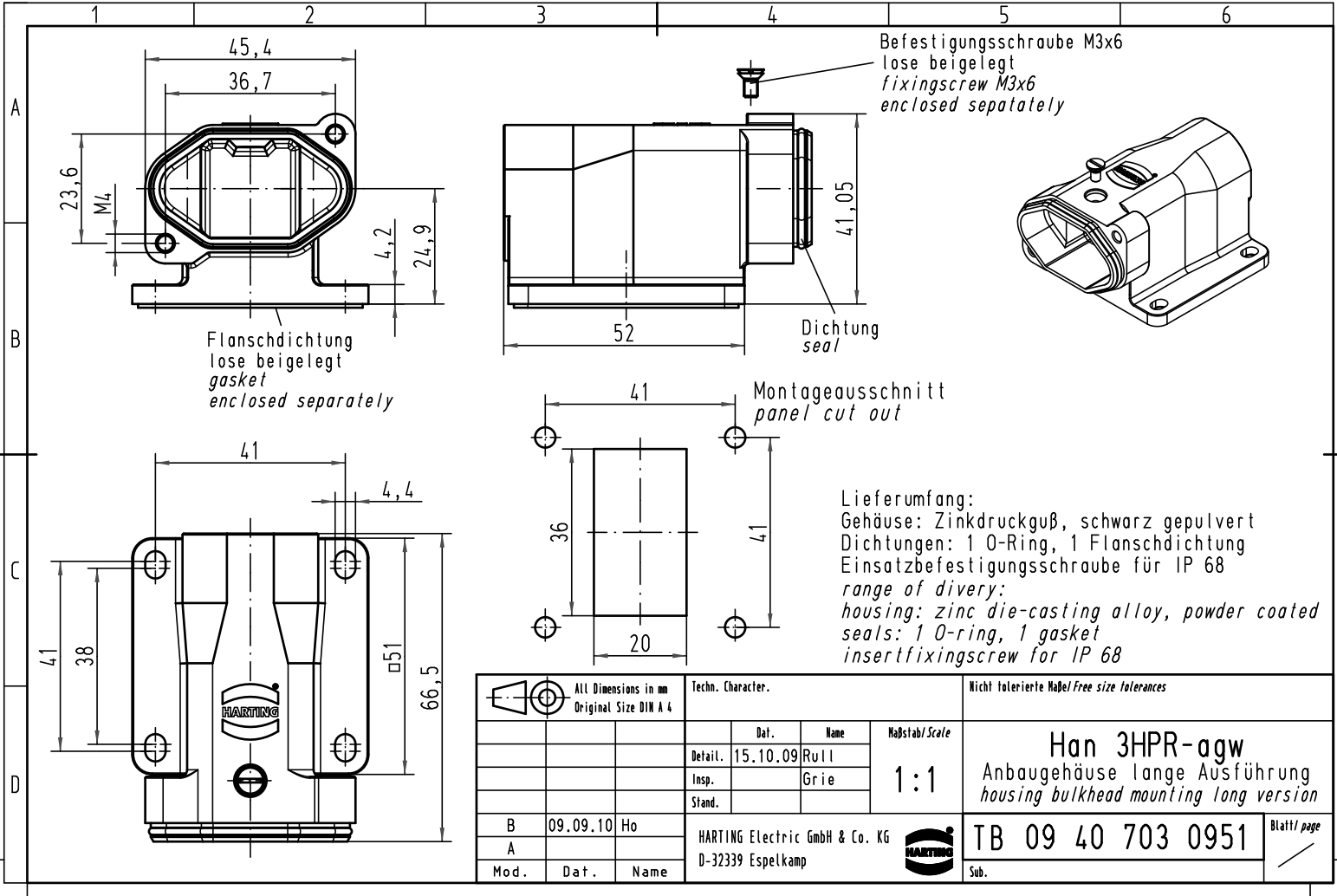
Stocking Distributor

Click to view price, real time Inventory, Delivery & Lifecycle Information:

[Harting](#)
[09407030951](#)

For any questions, you can email us directly:
sales@integrated-circuit.com

Alle Rechte vorbehalten/ All rights reserved



All Dimensions in mm Original Size DIN A 4		Techn. Character.			Nicht tolerierte Maß/Free size tolerances	
		Detail.	Dat.	Name	Maßstab/Scale 1:1	Han 3HPR-agw Anbaugeschäse lange Ausführung housing bulkhead mounting long version
		Insp.	15.10.09	Rull		
		Stand.		Grie		
B	09.09.10	Ho	HARTING Electric GmbH & Co. KG		TB 09 40 703 0951 Sub.	Blatt/ page
A			D-32339 Espelkamp			
Mod.	Dat.	Name				