

Excellent Integrated System Limited

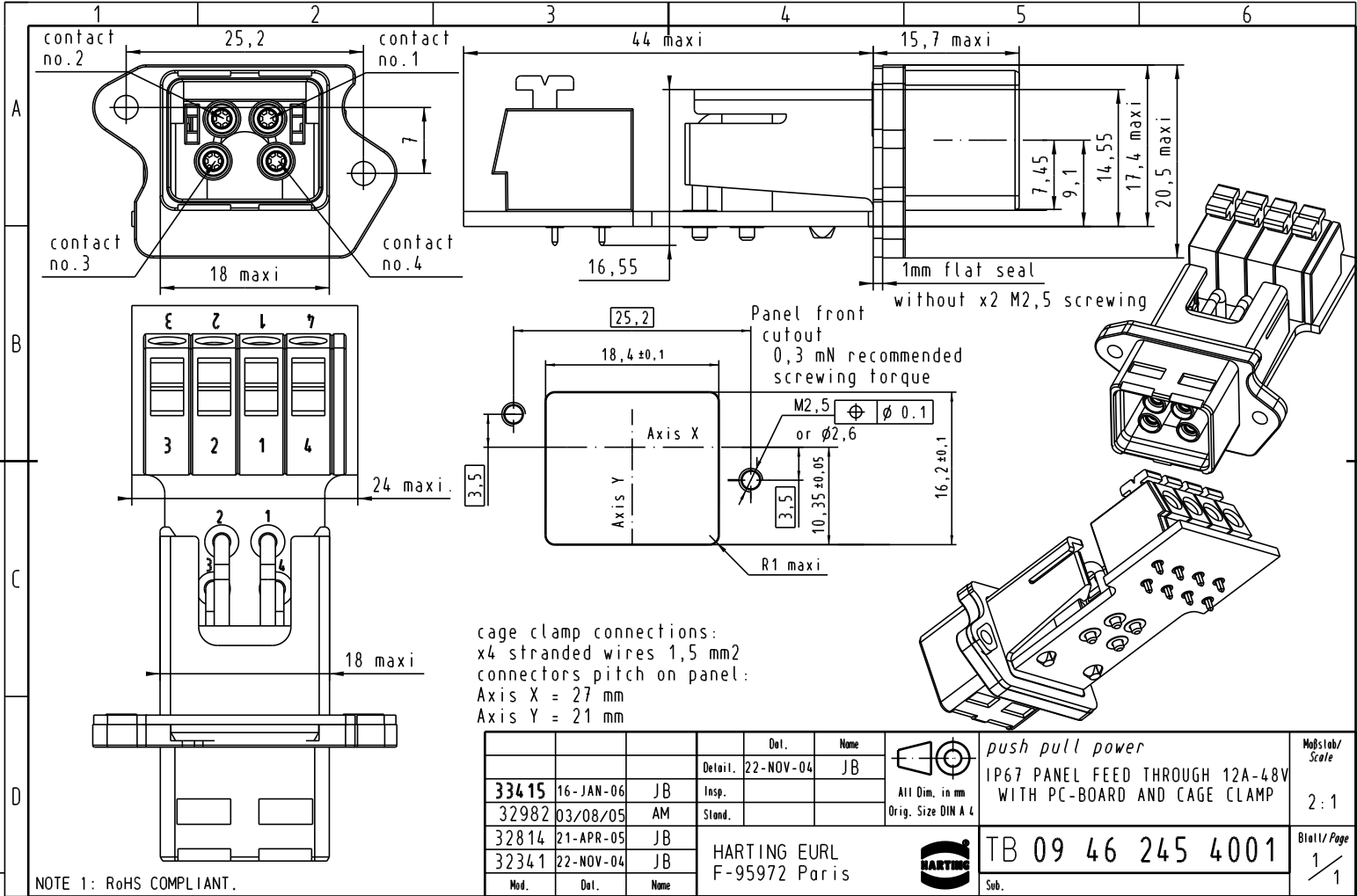
Stocking Distributor



Click to view price, real time Inventory, Delivery & Lifecycle Information:

[Harting](#)
[09462454001](#)

For any questions, you can email us directly:
sales@integrated-circuit.com

Alle Rechte vorbehalten/ All rights reserved



Mod.	Det.	Name	Det.	Name	 push pull power IP67 PANEL FEED THROUGH 12A-48V WITH PC-BOARD AND CAGE CLAMP	Moßstab/ Scale
			Det.	JB		All Dim. in mm Orig. Size DIN A 4
33415	16-JAN-06	JB	Insp.			
32982	03/08/05	AM	Stand.			
32814	21-APR-05	JB	HARTING EURL F-95972 Paris			Blatt/ Page 1 / 1
32341	22-NOV-04	JB				
					TB 09 46 245 4001	
					Sub.	