

Excellent Integrated System Limited

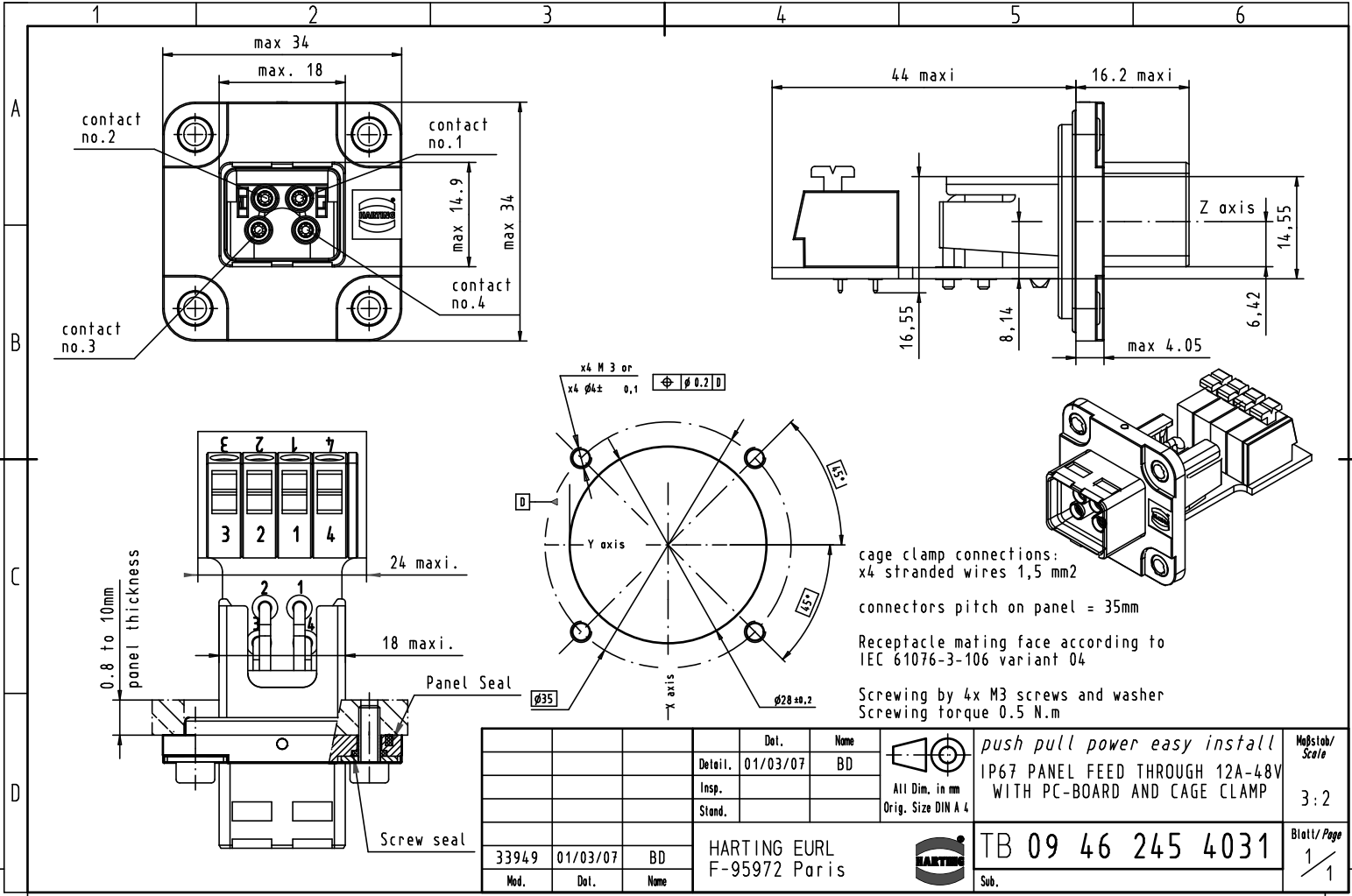
Stocking Distributor

Click to view price, real time Inventory, Delivery & Lifecycle Information:

[Harting](#)
[09462454031](#)

For any questions, you can email us directly:
sales@integrated-circuit.com

Alle Rechte vorbehalten/ All rights reserved



			Det.	Name	 All Dim. in mm Orig. Size DIN A 4	<i>push pull power easy install</i> 1P67 PANEL FEED THROUGH 12A-48V WITH PC-BOARD AND CAGE CLAMP	Meßstab/ Scale	
			Detail.	01/03/07			BD	3:2
			Insp.					
			Stand.					
33949	01/03/07	BD	HARTING EURL F-95972 Paris			 TB 09 46 245 4031	Blatt/ Page	
Mod.	Det.	Name	Sub.				1/1	