

## Excellent Integrated System Limited

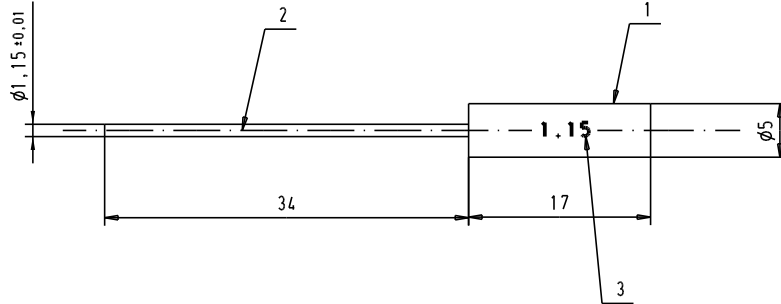
Stocking Distributor

Click to view price, real time Inventory, Delivery & Lifecycle Information:

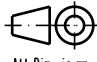

[Harting](#)  
[09468000003](#)

For any questions, you can email us directly:  
[sales@integrated-circuit.com](mailto:sales@integrated-circuit.com)

Alle Rechte vorbehalten/ All rights reserved



for wire gauge 2,5 mm<sup>2</sup> to 1,5mm<sup>2</sup>  
use crimping tool 09 46 800 0000

				Det.	Name	 push pull power Adjustment gauge $\phi 1,15\text{mm}$ for crimping tool	Moßstab/ Scale	
			Detail.	24-MAY-05	JB		All Dim. in mm Orig. Size DIN A 4	2:1
			Insp.					
33083	31/08/05	AM	Stand.			 <b>TB 09 46 800 0003</b>	Blatt/ Page	
32998	23/08/05	AM					1/1	
<b>32824</b>	24-MAY-05	JB						
Mod.	Det.	Name	HARTING EURL F-95972 Paris			Sub.		

- 3. Engraving
- 2. Material: stainless steel
- 1. Material: holder in plastic, color black