



Distributor of Harting: Excellent Integrated System Limited

Datasheet of 09553566616741 - D-Sub Connector Receptacle, Female Sockets 25 Position
Surface Mount Solder

Contact us: sales@integrated-circuit.com Website: www.integrated-circuit.com

Excellent Integrated System Limited

Stocking Distributor

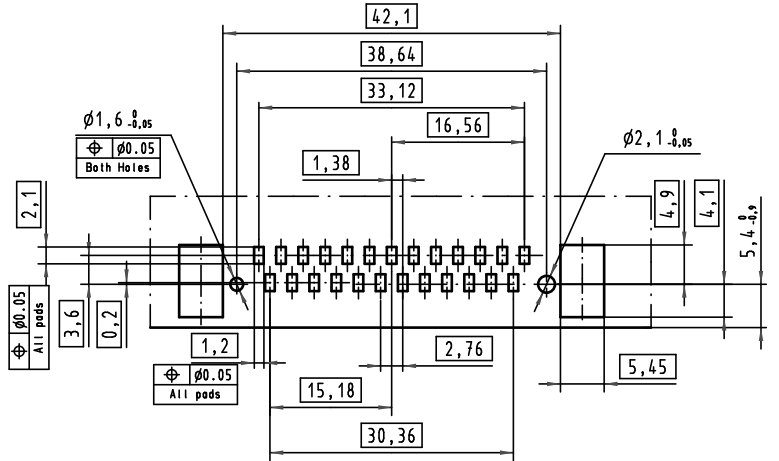
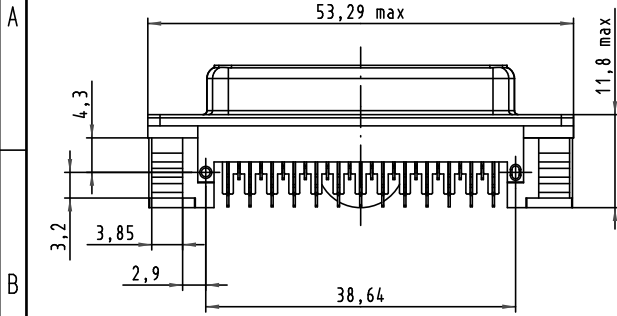
Click to view price, real time Inventory, Delivery & Lifecycle Information:

[Harting](#)

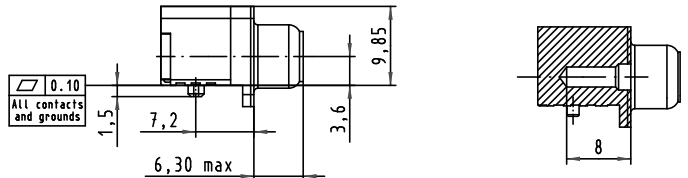
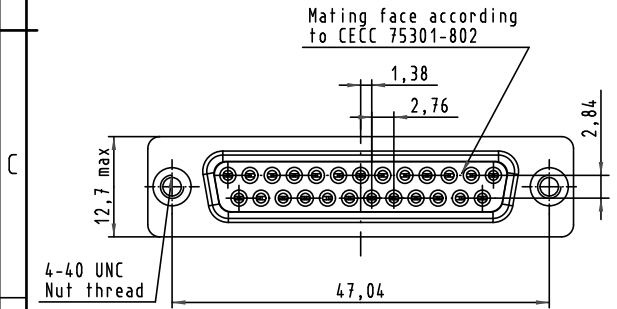
[09553566616741](#)

For any questions, you can email us directly:

sales@integrated-circuit.com



PCB Layout, component side (thickness 1,6mm min.)

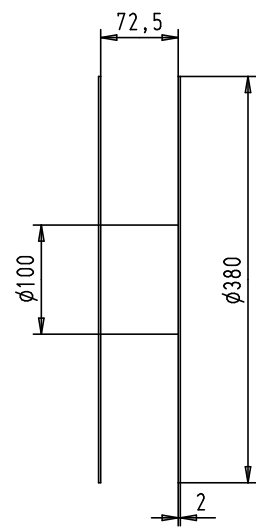
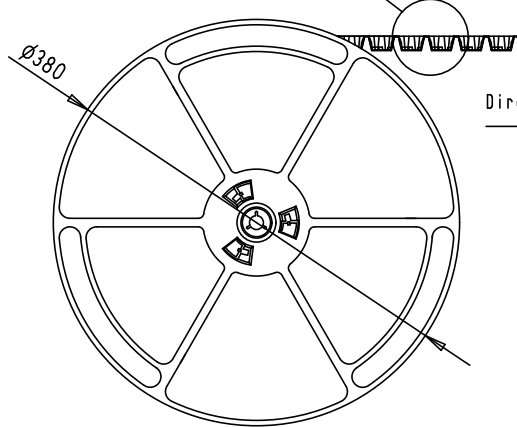
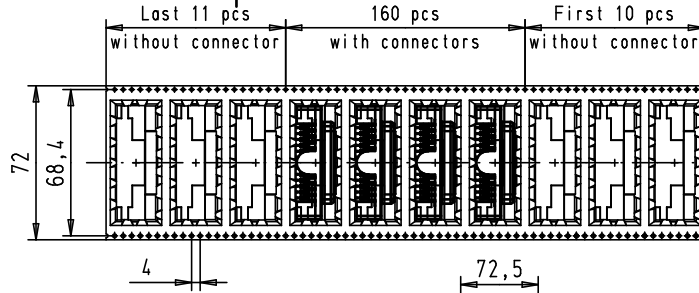
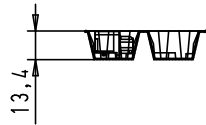


Max. Temperature: 260°C during 10 seconds

09553566616.741	1	4-40 UNC	Black Insulator	Reel Packaging (160 connectors) see page 2/2
09553566616.741	2			
09553566616.741	3			
Part number	PL	Thread	Index designation	



			Det.	Name	 All Dim. in mm Orig. Size DIN A 4	
			Detail.	30Jun2010		ED
			Insp.			
			Stand.			
EC01953	30Jun2010			HARTING EURL		
				F-95972 Paris		
Mod.	Det.	Name			Sub.	

D-SUB SMT Low Profile Female 25p with die casted grounds and 4-40 UNC nuts	Meßstab/ Scale
TB 09 55 356 x616	1,5:1
	Blatt/ Page
	1/2



See TB 09 55 356 x616 folio 1/2 for connector dimensions and PCB layout

Packaging in accordance with EIA 481-2-A

					Det.	Name	 All Dim. in mm Orig. Size DIN A 4	D-SUB SMT Low Profile Female 25p with die casted grounds and 4-40 UNC nuts	Maßstab/ Scale	
					Detail.	30Jun2010				ED
					Insp.					
					Stand.			TB 09 55 356 x616	Blatt/ Page 2 / 2	
09553563616.741	1	4-40 UNC	Black Insulator	Reel Packaging (160 connectors)	ECO1953	30Jun2010	ED			
09553566616.741	2				HARTING EURL F-95972 Paris					
09553567616.741	3									
Part number	PL	Thread	Index designation	Mod.	Det.	Name	Sub.			