

Excellent Integrated System Limited

Stocking Distributor

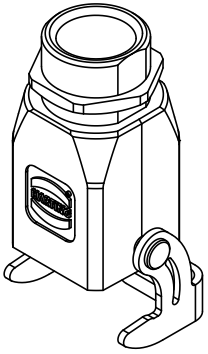
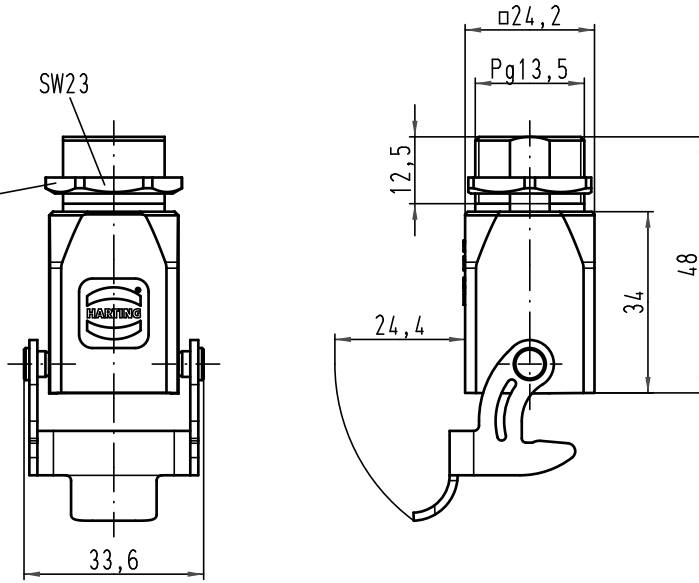
Click to view price, real time Inventory, Delivery & Lifecycle Information:



[Harting](#)
[09620030102](#)

For any questions, you can email us directly:
sales@integrated-circuit.com

Alle Rechte vorbehalten/ All rights reserved

Kontermutter
lose beigelegt
locknut
separately enclosed



 All Dimensions in mm Original Size DIN A 4			Techn. Character.			Nicht tolerierte Maß/Free size tolerances	
			Detail.	28.03.11	Spr	Maßstab/Scale 1:1	Han 3EMV-eg-QB-Pg13,5 Einschraubgehäuse <i>housing screw mounting</i>
			Insp.		Be		
			Stand.				
A			HARTING Electric GmbH & Co. KG				TB 09 62 003 0102
Mod.	Dat.	Name	D-32339 Espelkamp				