

## **Excellent Integrated System Limited**

Stocking Distributor

Click to view price, real time Inventory, Delivery & Lifecycle Information:

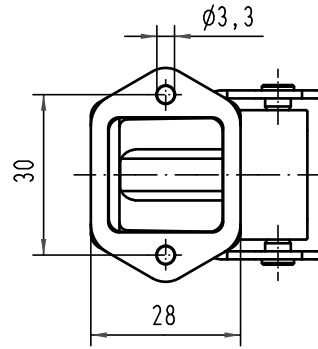
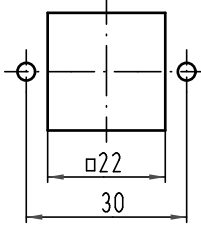
[Harting](#)

[09620030801](#)

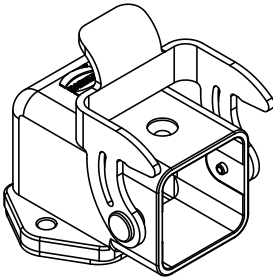
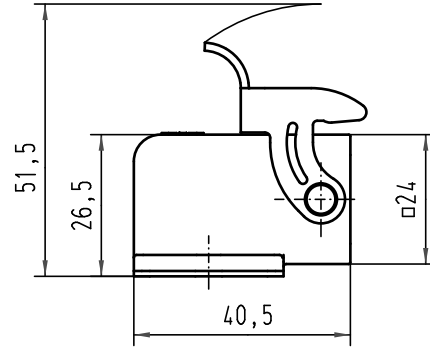
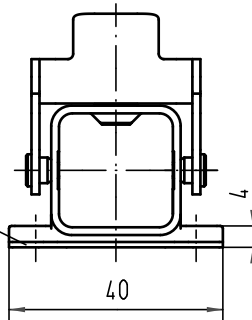
For any questions, you can email us directly:



[sales@integrated-circuit.com](mailto:sales@integrated-circuit.com)

Montageausschnitt/  
panel cut out



Flanschdichtung/  
gasket



 All Dimensions in mm Original Size DIN A 4			Techn. Character.			Nicht tolerierte Maß/Free size tolerances	
						<b>1:1</b>	<b>Han 3EMV-agw-QB</b> Anbaugehäuse / <i>housing bulkhead mounting</i>
			Detail.	25.11.97	ML		
			Insp.		HERB		
413209	08.10.07	Ho	Stand.				
29878	05.07.01	ROH.					
26654	08.11.99	KR					
Mod.	Dat.	Name	HARTING Electric GmbH & Co. KG D-32339 Espelkamp				<b>TB 09 62 003 0801</b>
							Sub.