

Excellent Integrated System Limited

Stocking Distributor

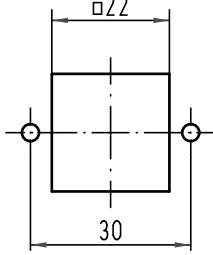
Click to view price, real time Inventory, Delivery & Lifecycle Information:

[Harting](#)
[09620031250](#)

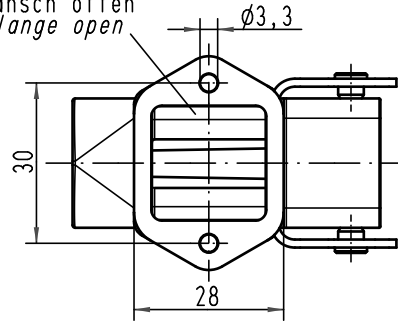
For any questions, you can email us directly:
sales@integrated-circuit.com

Alle Rechte vorbehalten/ All rights reserved

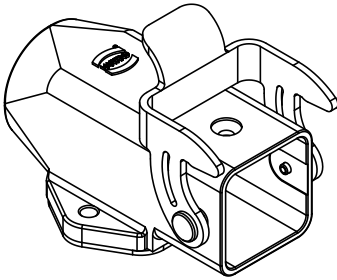
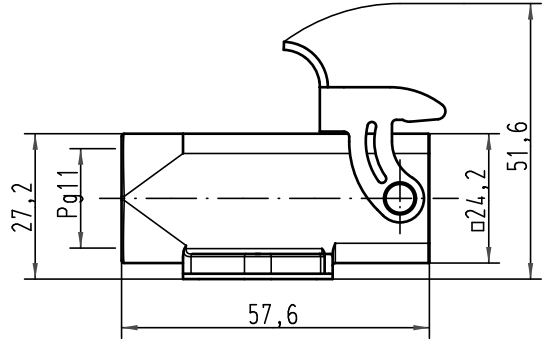
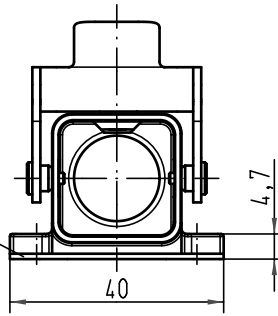
Montageausschnitt
panel cut out





Flansch offen
flange open



Flanschdichtung
gasket



 All Dimensions in mm Original Size DIN A 4			Techn. Character.			Nicht tolerierte Maß/Free size tolerances	
			Detail.	22.09.09	Spr	1:1	Han 3EMV-asgw-QB-11 Anbaugehäuse housings surface mounting
			Insp.		Be		
			Stand.				
A			HARTING Electric GmbH & Co. KG				TB 09 62 003 1250
Mod.	Dat.	Name	D-32339 Espelkamp				