

Excellent Integrated System Limited

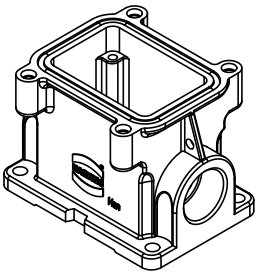
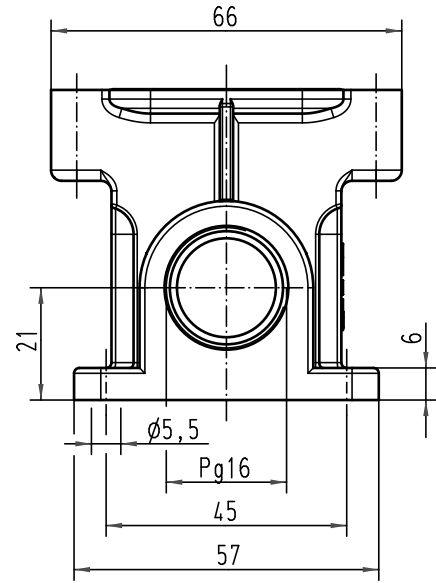
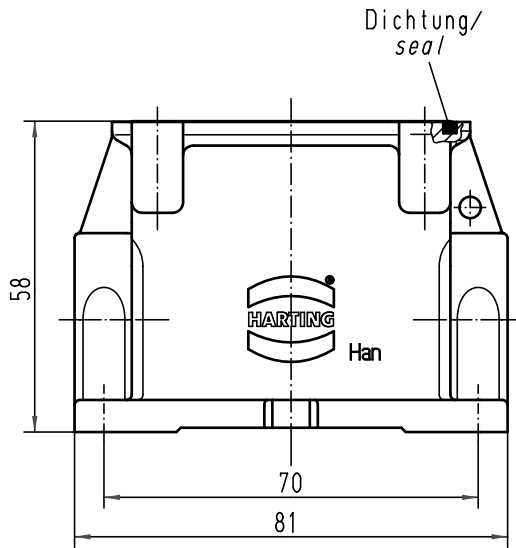
Stocking Distributor



Click to view price, real time Inventory, Delivery & Lifecycle Information:

[Harting](#)
[09620061205](#)

For any questions, you can email us directly:
sales@integrated-circuit.com

Alle Rechte vorbehalten/ All rights reserved



 All Dimensions in mm Original Size DIN A 4			Techn. Character.			Nicht tolerierte Maß/Free size tolerances	
			Detail.	24.02.03	DY	Maßstab/Scale 1:1	Han 6EMV-asg2-16 Sockelgehäuse/ housing surface mounting
			Insp.		KR		
			Stand.				
413209	08.10.07	Ho	HARTING Electric GmbH & Co. KG				TB 09 62 006 1205
410385			D-32339 Espelkamp				
Mod.	Dat.	Name					