

## Excellent Integrated System Limited

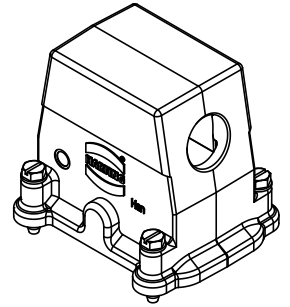
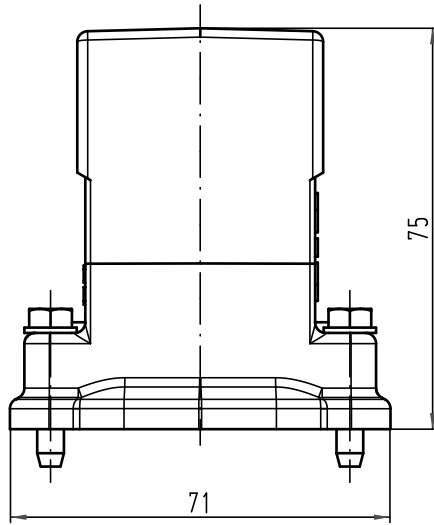
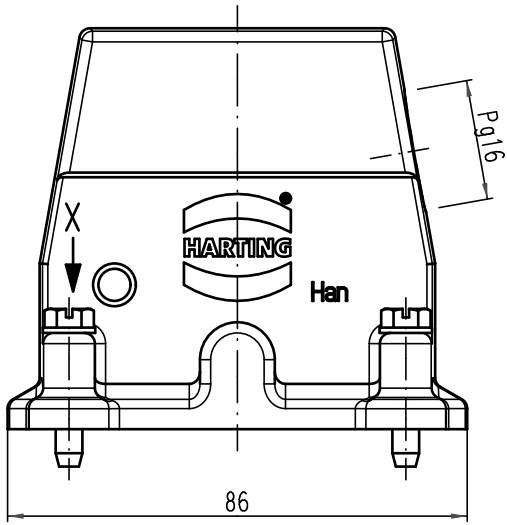
Stocking Distributor

Click to view price, real time Inventory, Delivery & Lifecycle Information:

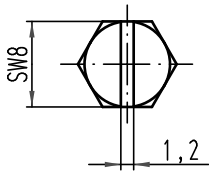
[Harting](#)  
[09620100540](#)

For any questions, you can email us directly:  
[sales@integrated-circuit.com](mailto:sales@integrated-circuit.com)

Alle Rechte vorbehalten/ All rights reserved



X (2:1)



All Dimensions in mm Original Size DIN A 4			Techn. Character.			Nicht tolerierte Maße/ Free size tolerances	
			Detail.	Dat.	Name	Maßstab/Scale <b>1:1</b>	<b>Han 10EMV-gs-16</b> Tüllengehäuse hood
			Insp.		Tie		
			Stand.				
A			HARTING Electric GmbH & Co. KG				<b>TB 09 62 010 0540</b>
Mod.	Dat.	Name	D-32339 Espelkamp				