

Excellent Integrated System Limited

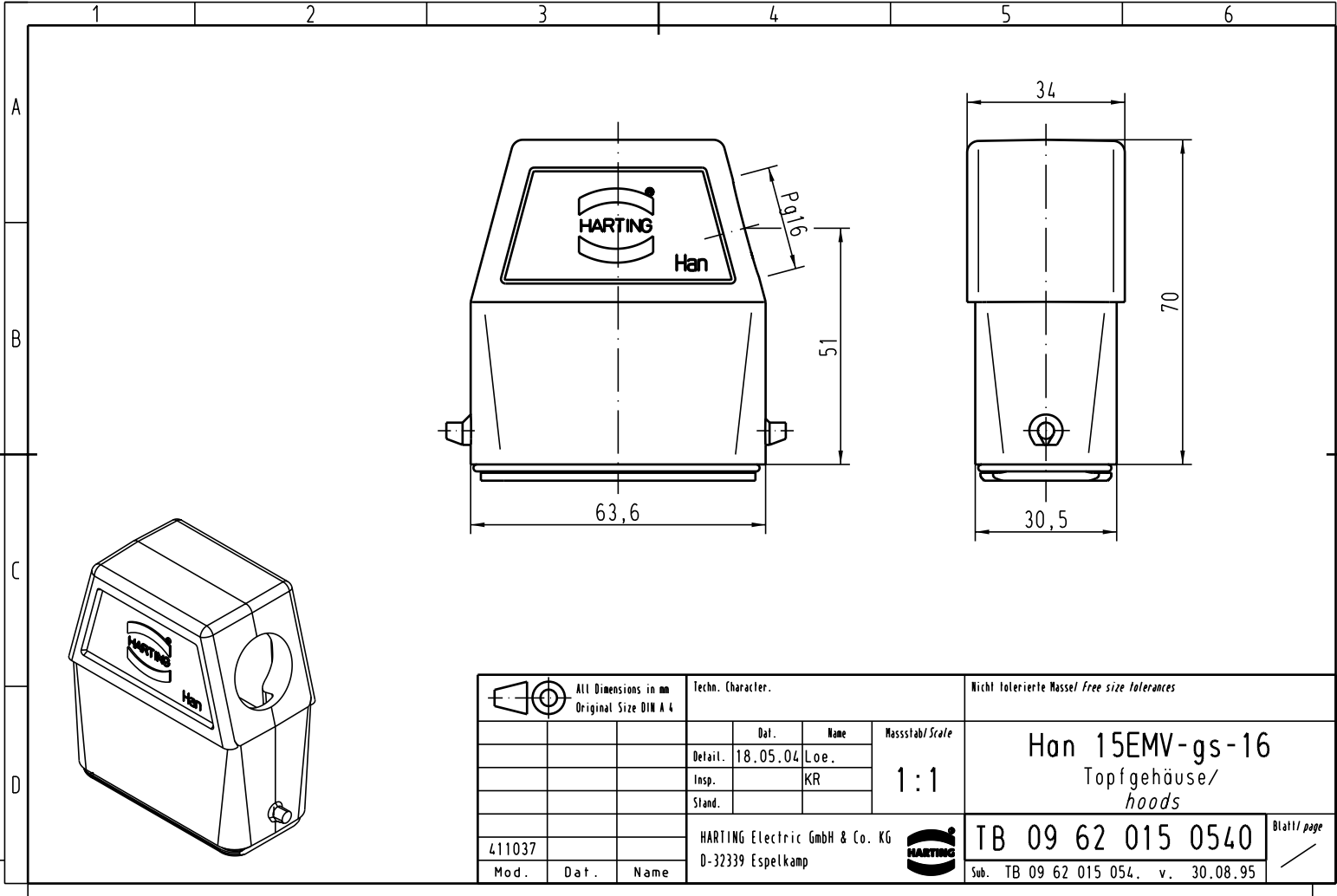
Stocking Distributor

Click to view price, real time Inventory, Delivery & Lifecycle Information:

[Harting](#)
[09620150540](#)

For any questions, you can email us directly:
sales@integrated-circuit.com

Alle Rechte vorbehalten/ All rights reserved



All Dimensions in mm Original Size DIN A 4			Techn. Character.			Nicht lotierte Masse free size tolerances		
			Dat.	Name	Massstab/Scale 1:1	Han 15EMV-gs-16 Topfgehäuse/ hoods		
			Detail.	Loe.				
			Insp.	KR				
			Stand.					
411037 Mod. Dat. Name			HARTING Electric GmbH & Co. KG D-32339 Espelkamp					
						TB 09 62 015 0540		Blatt/ page
						Sub. TB 09 62 015 054. v. 30.08.95		