

## Excellent Integrated System Limited

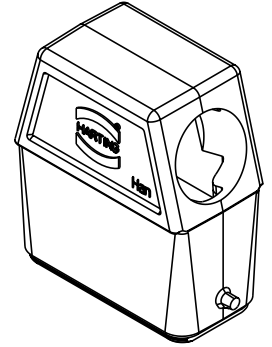
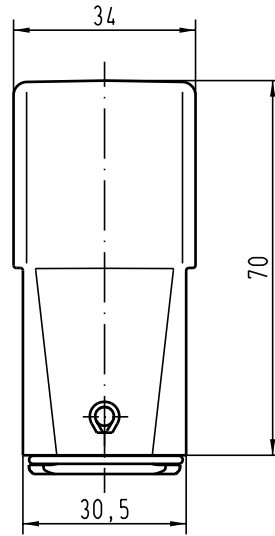
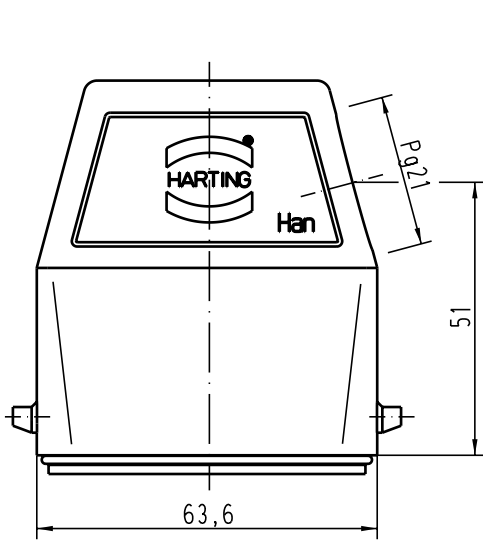
Stocking Distributor



Click to view price, real time Inventory, Delivery & Lifecycle Information:

[Harting](#)  
[09620150541](#)

For any questions, you can email us directly:  
[sales@integrated-circuit.com](mailto:sales@integrated-circuit.com)

Alle Rechte vorbehalten/ All rights reserved



 All Dimensions in mm Original Size DIN A 4			Techn. Character.			Nicht tolerierte Masse / free size tolerances	
				Dat.	Name	Masstab/Scale	<b>Han 15EMV-gs-21</b> Topfgehäuse/ hoods
	Detail: 18.05.04	Loe.	1:1	<b>TB 09 62 015 0541</b>			
	Insp.	KR					
	Stand.					Sub: TB 09 62 015 054. v. 30.08.95	
411037			HARTING Electric GmbH & Co. KG				
Mod.	Dat.	Name	D-32339 Espelkamp				Blatt/ page