

## Excellent Integrated System Limited

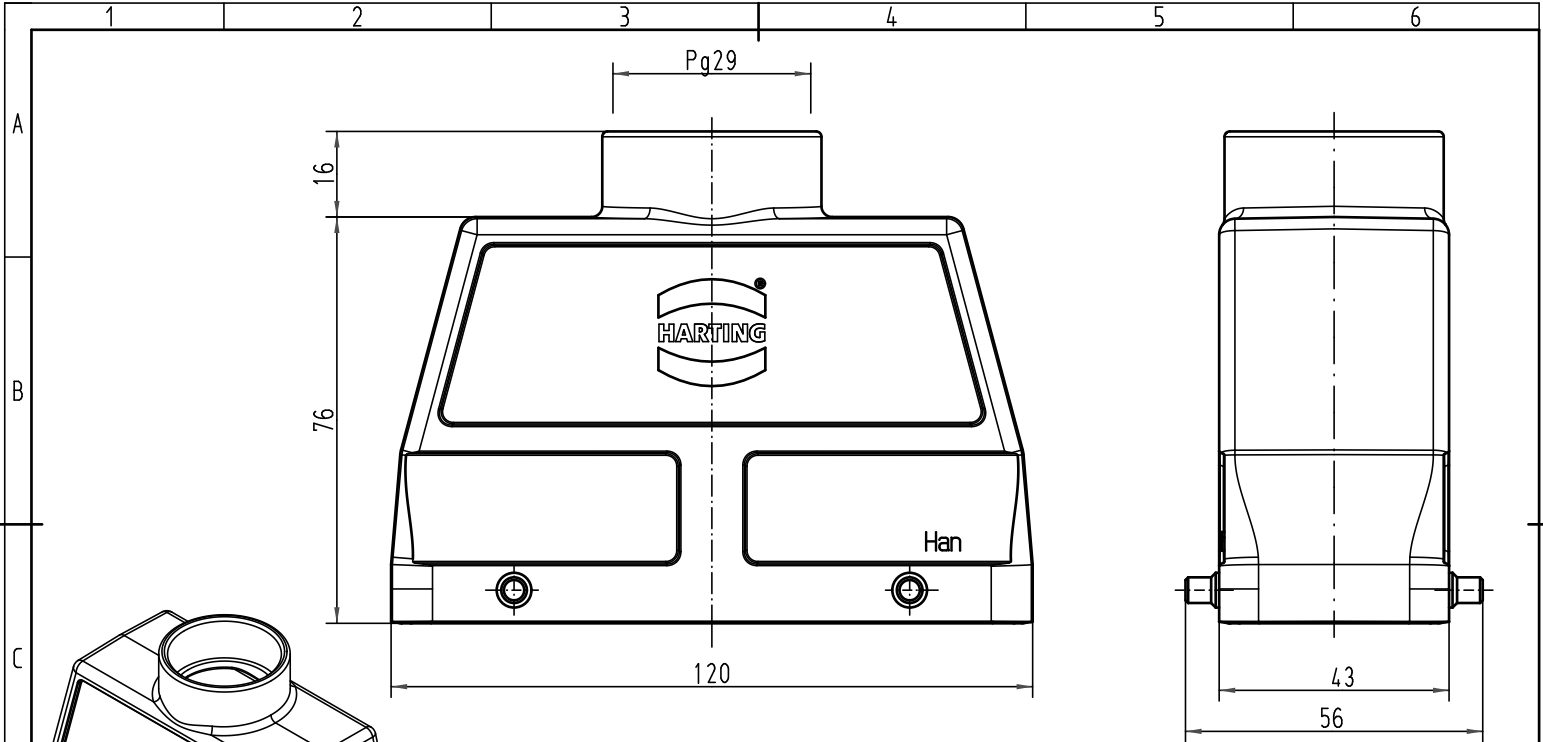
Stocking Distributor

Click to view price, real time Inventory, Delivery & Lifecycle Information:

[Harting](#)  
[09628240421](#)

For any questions, you can email us directly:  
[sales@integrated-circuit.com](mailto:sales@integrated-circuit.com)

Alle Rechte vorbehalten/ All rights reserved



|   |          |      |                                |          |     |   |  |             |
|---|----------|------|--------------------------------|----------|-----|---|--|-------------|
| All Dimensions in mm<br>Original Size DIN A 4 |          |      | Techn. Character.              |          |     | Nicht tolerierte Maß/Free size tolerances |  |             |
|   |          |      | Detail.                        | 25.04.00 | Gö  | Maßstab/Scale<br><b>1:1</b>               | <b>Han 24EMV/B-gg-29</b><br>Tüllengehäuse/<br>hood top-entry |             |
|   |          |      | Insp.                          |          | FER |   |  |             |
|   |          |      | Stand.                         |          |     |   |  |             |
| 413209  | 08.10.07 | Ho   | HARTING Electric GmbH & Co. KG |          |     |   | <b>TB 09 62 824 0421</b>                                     |             |
| 27789   |          |      | D-32339 Espelkamp              |          |     |   | Sub.   | Blatt/ page |
| Mod.  | Dat.     | Name |                                |          |     |   |  |             |