



**Distributor of Harting: Excellent Integrated System Limited**

Datasheet of 09643227216 - D-Sub Connector Plug, Male Pins 25 Position Through Hole Solder

Contact us: [sales@integrated-circuit.com](mailto:sales@integrated-circuit.com) Website: [www.integrated-circuit.com](http://www.integrated-circuit.com)

---

## **Excellent Integrated System Limited**

Stocking Distributor

Click to view price, real time Inventory, Delivery & Lifecycle Information:

[Harting](#)

[09643227216](#)

For any questions, you can email us directly:

[sales@integrated-circuit.com](mailto:sales@integrated-circuit.com)

5

Contact us: [sales@integrated-circuit.com](mailto:sales@integrated-circuit.com) Website: [www.integrated-circuit.com](http://www.integrated-circuit.com)

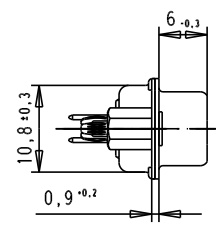
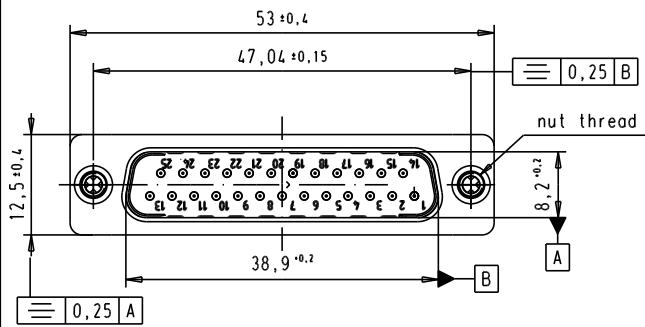
1

D

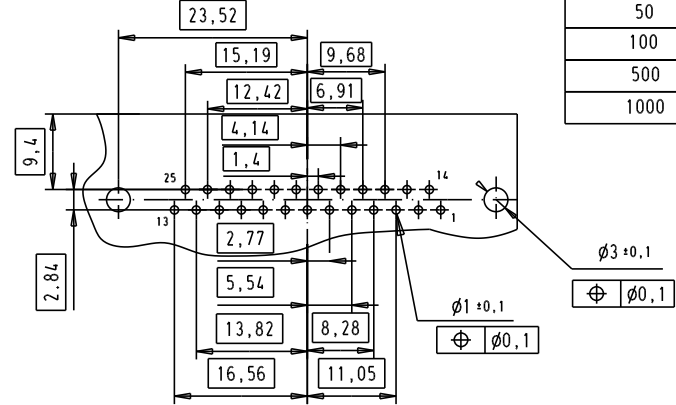
C

B

A



PCB Layout, Component side, PCB thickness 1,6 mm



**SPECIFICATION**

Mating Cycles	500
Filter type	C
Capacitance	47pF±20%
Working Voltage	100v
Current Rating	7,5A
Insulation Resistance	>1GΩ

FREQUENCY (MHz)	ATTENUATION dB
5	-
10	-
50	-
100	-
500	30dB
1000	35dB

					Det.	8-JUL-02	Name	CV	<p>All Dim. in mm Orig. Size DIN A 4</p>	<p>D-Sub, male, straight, 25 Poles, turned solder pins, tin plated shell with dimples, spacer nuts and board-locks</p>	<p>Mis/MS tab/Scale 1.5:1</p>
					Insp.						
					Stand.						
09643227216	M3		33423	06/02/06	JMDR	HARTING EURL F-95972 Paris				<p>TB 0964322721x</p>	<p>Blatt/ Page 2 / 3</p>
09643227215	UNC 4-40		31058	8-JUL-02	CV	Sub.					
Part number	Nut thread		Mod.	Det.	Name						