



Distributor of Harting: Excellent Integrated System Limited

Datasheet of 09652666813 - D-Sub Connector Plug, Male Pins 15 Position Through Hole, Right Angle Solder

Contact us: sales@integrated-circuit.com Website: www.integrated-circuit.com

Excellent Integrated System Limited

Stocking Distributor

Click to view price, real time Inventory, Delivery & Lifecycle Information:

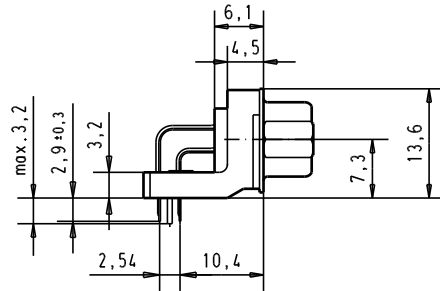
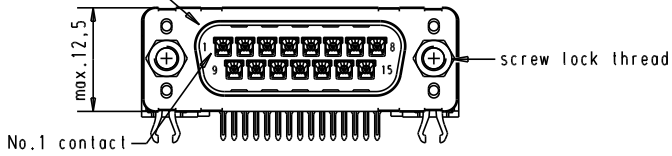
[Harting](#)

[09652666813](#)

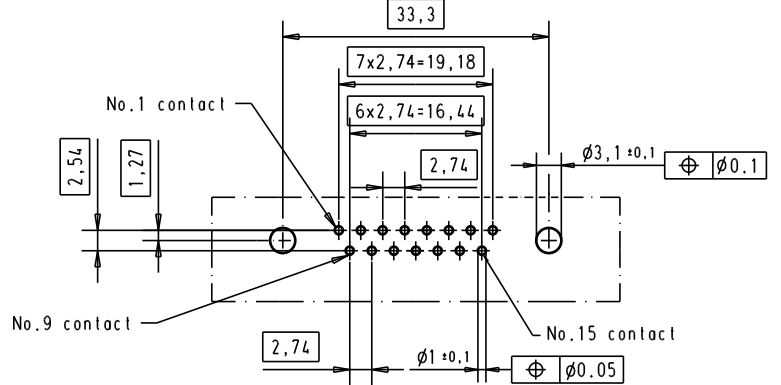
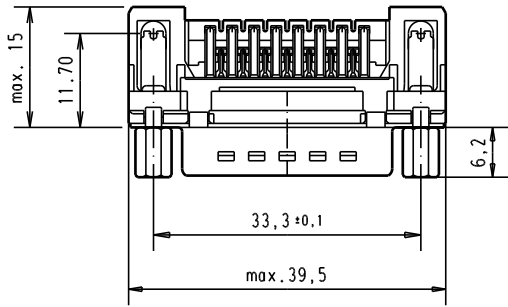
For any questions, you can email us directly:

sales@integrated-circuit.com

Mating face according to : MIL-C-24308 / DIN 41652 / CECC 75301-802



Printed board layout component side



Connector retention and insertion forces on the PCB = 25 / 80 newtons

| | | | | | | | | | | | | |
|----------------|-------------------|-------------------|-------|----------|------|---------|-------------------------------|------|--|--|----------------------------|-------------------|
| 09 65 266 3833 | M3 | 1 | | | | | Det. | Name | All Dim. in mm Orig. Size DIN A 4 | D-Sub, high temperature, male, standard, 15 poles, with solder pins 2.9, screw lock and grounding board lock | Maßstab/ Scale 1.5:1 | |
| 09 65 266 6833 | M3 | 2 | | | | Detail. | 04/09/02 | YT | | | | |
| 09 65 266 7833 | M3 | 3 | | | | Insp. | | | | | | |
| 09 65 266 3813 | 4-40 UNC | 1 | | | | | Stand. | | | | | |
| 09 65 266 6813 | 4-40 UNC | 2 | 31892 | 22/04/04 | JH | | HARTING EURL F-95972 Paris | | | | TB 0965266x8x3 | Blatt/ Page 1/ |
| 09 65 266 7813 | 4-40 UNC | 3 | 31084 | 04/09/02 | YT | | | | | | | |
| Part number | Screw lock thread | Performance level | Mod. | Del. | Name | | | | | | | |