



**Distributor of Harting: Excellent Integrated System Limited**

Datasheet of 09661127600 - D-Sub Connector Receptacle, Female Sockets 9 Position  
Through Hole, Right Angle Solder

Contact us: [sales@integrated-circuit.com](mailto:sales@integrated-circuit.com) Website: [www.integrated-circuit.com](http://www.integrated-circuit.com)

---

## **Excellent Integrated System Limited**

Stocking Distributor

Click to view price, real time Inventory, Delivery & Lifecycle Information:

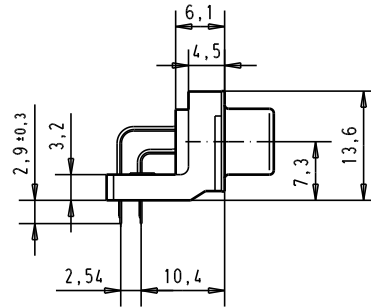
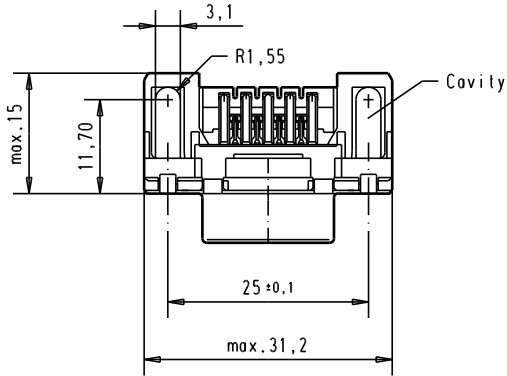
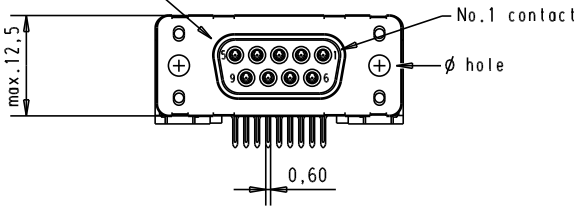
[Harting](#)

[09661127600](#)

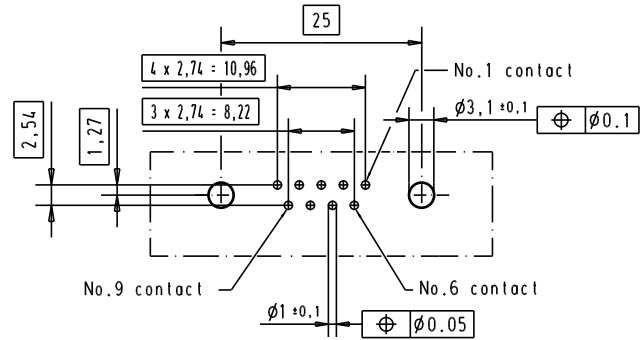
For any questions, you can email us directly:

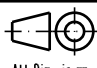

[sales@integrated-circuit.com](mailto:sales@integrated-circuit.com)

Mating face according to : MIL-C-24308 / DIN 41652 / CECC 75301-802



Printed board layout component side



						Det.	Name	 All Dim. in mm Orig. Size DIN A 4	D-Sub 09 poles standard angle female, solder pin with hole Maßstab/Scale 1.5:1
						Detail.	ALSPACE		
						Insp.			
09 66 112 3600	3.1 ± 0.1	1	31892	05/05/04	JH	Stand.		 TB 0966112x60x Sub.	
09 66 112 6600	3.1 ± 0.1	2	29773	18-APR-02	CV				
09 66 112 7600	3.1 ± 0.1	3	27960	27/nov/00	ALSPACE				
Part number	ø hole	Performance level	Mod.	Det.	Name	HARTING EURL F-95972 Paris		Blatt/ Page 1/	