



Distributor of Harting: Excellent Integrated System Limited

Datasheet of 09661156503 - D-Sub Connector Receptacle, Female Sockets 9 Position
Through Hole Solder

Contact us: sales@integrated-circuit.com Website: www.integrated-circuit.com

Excellent Integrated System Limited

Stocking Distributor

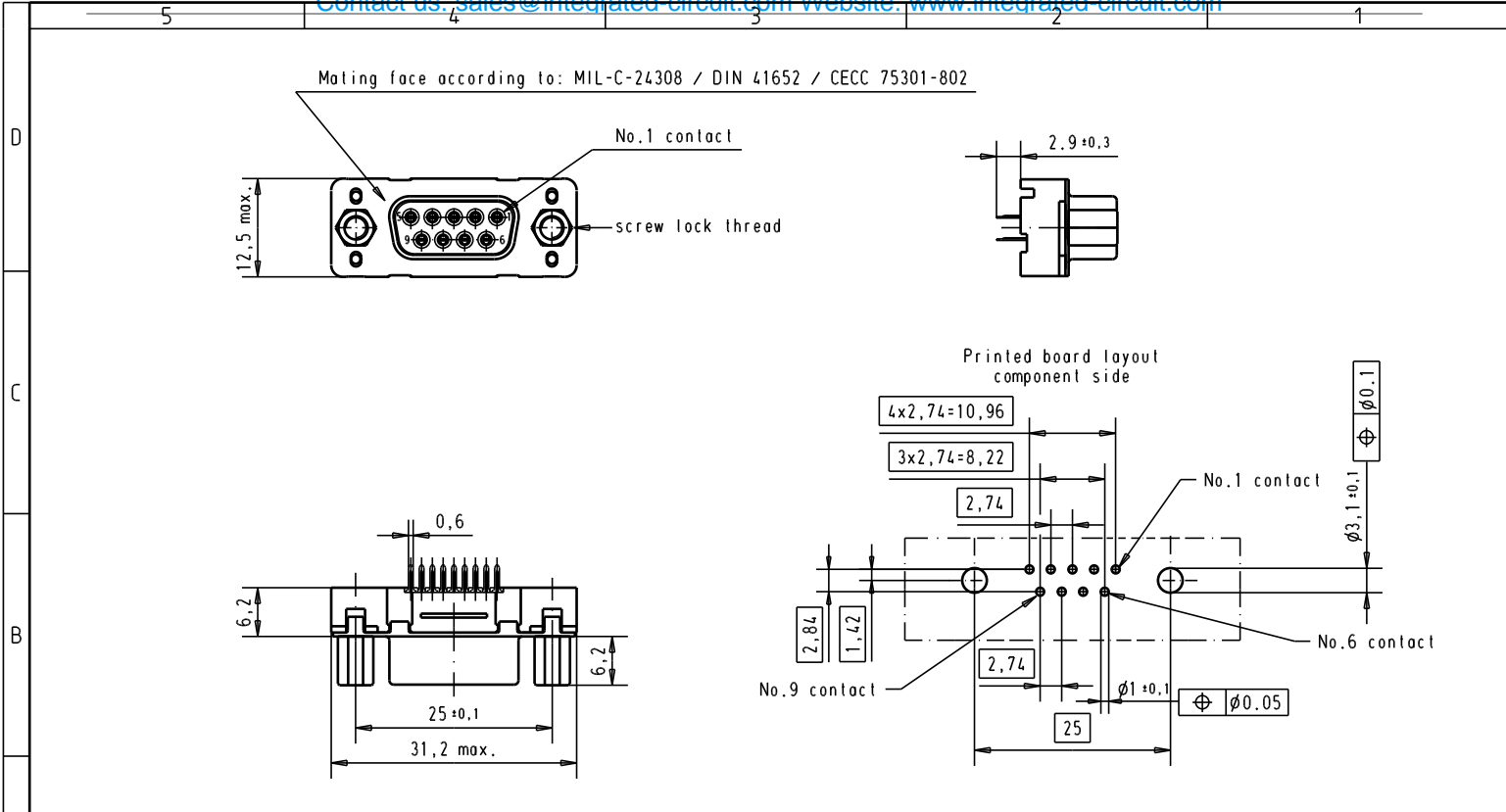
Click to view price, real time Inventory, Delivery & Lifecycle Information:

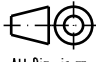

[Harting](#)

[09661156503](#)

For any questions, you can email us directly:

sales@integrated-circuit.com



						Det.	Name	 All Dim. in mm Orig. Size DIN A 4	D-sub, High temperature, 9 poles, female, straight, with solder pins 2.9, and screw lock.	Moßstab/ Scale
						Detail.	CV			1,5:1
						Insp.				
09 66 115 3503	4-40 UNC	1								
09 66 115 6503	4-40 UNC	2	31892	05/05/04	JH					
09 66 115 7503	4-40 UNC	3	29723	05-MAR-02	CV					
Part number	Screw lock thread	Performance level	Mod.	Det.	Name	HARTING EURL F-95972 Paris			TB 09 66 115 x50x	Blatt/ Page
									Sub.	