



Distributor of Harting: Excellent Integrated System Limited

Datasheet of 09661236803 - D-Sub Connector Plug, Male Pins 9 Position Through Hole, Right Angle Solder

Contact us: sales@integrated-circuit.com Website: www.integrated-circuit.com

Excellent Integrated System Limited

Stocking Distributor

Click to view price, real time Inventory, Delivery & Lifecycle Information:

[Harting](#)

[09661236803](#)

For any questions, you can email us directly:

sales@integrated-circuit.com

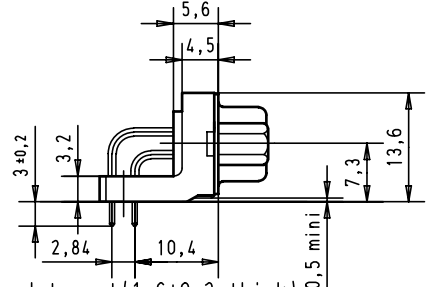
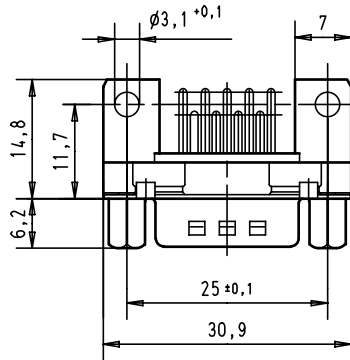
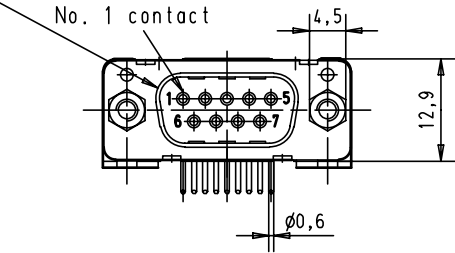
Mating face according to MIL-C-24308 / DIN 41 652 / CECC 75301-802

D

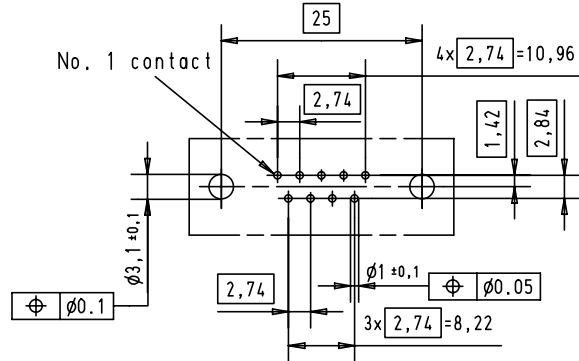
C



B

A



Printed board layout (1.6 ± 0.2 thick)
View component side
(PCB plating = Tin)



						Det.	Name	 All Dim. in mm Orig. Size DIN A 4	D-Sub male standard 9 poles with solder pins and screw-lock	Maßstab/ Scale	
						Detail.	23-NOV-01			JB	1,5:1
						Insp.					
						Stand.					
09 66 123 6803	4-40 UNC	2									
09 66 123 7803	4-40 UNC	3									
09 66 123 5803	4-40 UNC	0,76 µm Au	29733	23-NOV-01	JB	HARTING EURL F-95972 Paris			TB 09 66 123 X80X	Blatt/ Page 3	
Part number	screw-lock	Performance level	Mod.	Det.	Name	Sub.					