



**Distributor of Harting: Excellent Integrated System Limited**

Datasheet of 09661566615 - D-Sub Connector Receptacle, Female Sockets 9 Position  
Through Hole, Right Angle Solder

Contact us: [sales@integrated-circuit.com](mailto:sales@integrated-circuit.com) Website: [www.integrated-circuit.com](http://www.integrated-circuit.com)

---

## Excellent Integrated System Limited

Stocking Distributor

Click to view price, real time Inventory, Delivery & Lifecycle Information:

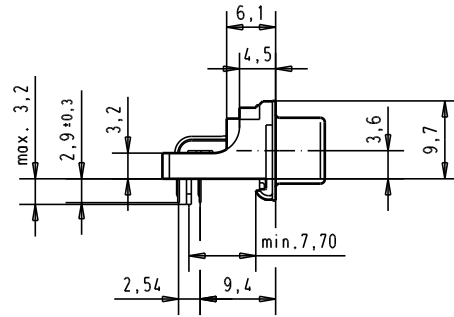
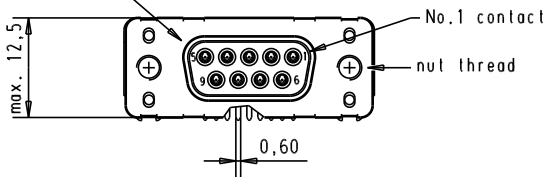
[Harting](#)

[09661566615](#)

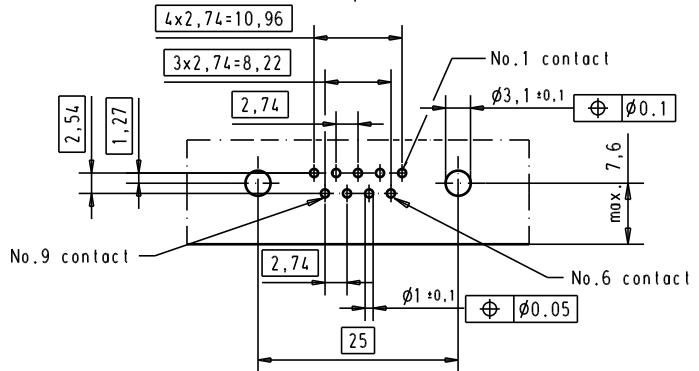
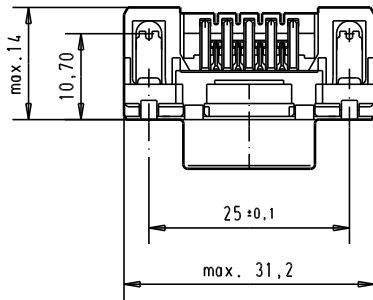
For any questions, you can email us directly:

[sales@integrated-circuit.com](mailto:sales@integrated-circuit.com)

Mating face according to : MIL-C-24308 / DIN 41652 / CECC 75301-802



Printed board layout component side



Connector retention and insertion forces on the PCB = 25 / 80 newtons

09 66 156 3615	M 3	1				Det.	Name	 All Dim. in mm Orig. Size DIN A 4	D-Sub, high temperature, female, low profil, 9 poles, with solder pins 2.9, nuts and grounding board lock.	Maßstab/ Scale 1.5:1
09 66 156 6615	M 3	2				Detail.	05/03/02 CV			
09 66 156 7615	M 3	3				Insp.				
09 66 156 3616	4-40 UNC	1				Stand.				
09 66 156 6616	4-40 UNC	2	31892	05/05/04	JH	HARTING EURL F-95972 Paris 			TB 0966156x61x	Blatt/ Page 2/
09 66 156 7616	4-40 UNC	3	29723	05/03/02	CV					
Part number	Nut thread	Performance level	Mod.	Det.	Name	Sub.				