



Distributor of Harting: Excellent Integrated System Limited

Datasheet of 09661566617 - D-Sub Connector Receptacle, Female Sockets 9 Position
Through Hole, Right Angle Solder

Contact us: sales@integrated-circuit.com Website: www.integrated-circuit.com

Excellent Integrated System Limited

Stocking Distributor

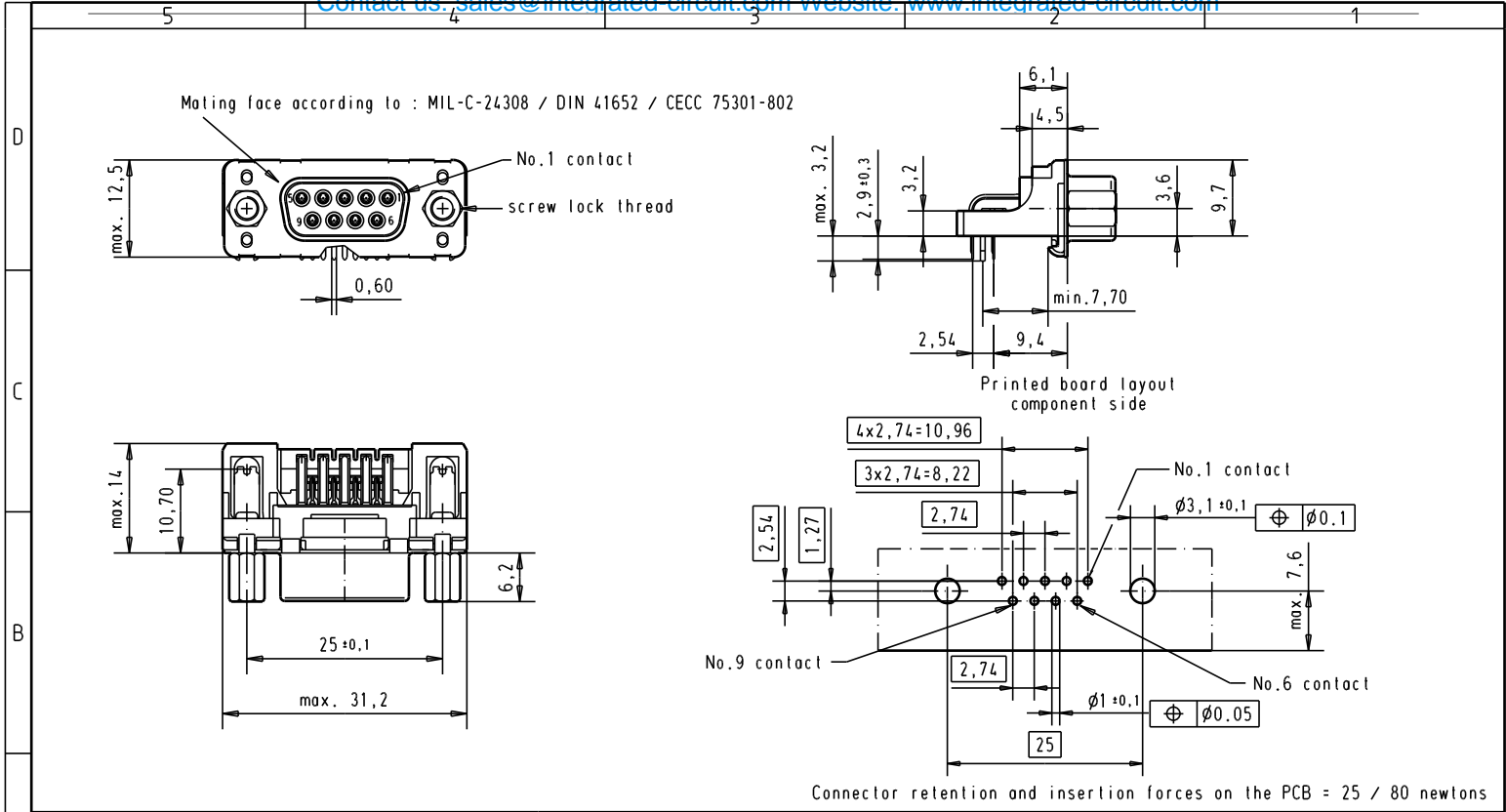
Click to view price, real time Inventory, Delivery & Lifecycle Information:

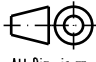
[Harting](#)

[09661566617](#)

For any questions, you can email us directly:

sales@integrated-circuit.com



						Det.	Name	 All Dim. in mm Orig. Size DIN A 4	D-Sub, high temperature, female, low profil, 9 poles, with solder pins 2.9, screw lock and grounding board lock.	Moßstab/ Scale
						05/03/02	CV			1.5:1
09 66 156 3617	4-40 UNC	1								
09 66 156 6617	4-40 UNC	2	31892	05/05/04	JH	HARTING EURL F-95972 Paris		TB 0966156x61x	Blatt/ Page 3	
09 66 156 7617	4-40 UNC	3	29723	05/03/02	CV					
Part number	Screw lock thread	Performance level	Mod.	Det.	Name			Sub.		