



**Distributor of Harting: Excellent Integrated System Limited**

Datasheet of 09662236803 - D-Sub Connector Plug, Male Pins 15 Position Through Hole, Right Angle Solder

Contact us: [sales@integrated-circuit.com](mailto:sales@integrated-circuit.com) Website: [www.integrated-circuit.com](http://www.integrated-circuit.com)

---

## Excellent Integrated System Limited

Stocking Distributor

Click to view price, real time Inventory, Delivery & Lifecycle Information:

[Harting](#)

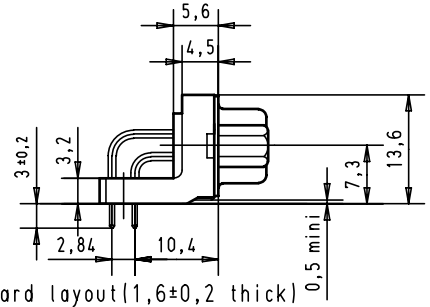
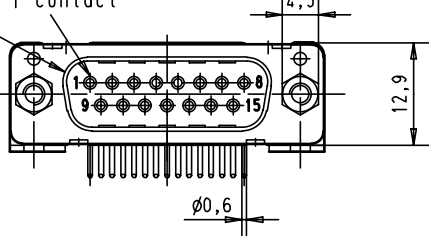
[09662236803](#)

For any questions, you can email us directly:

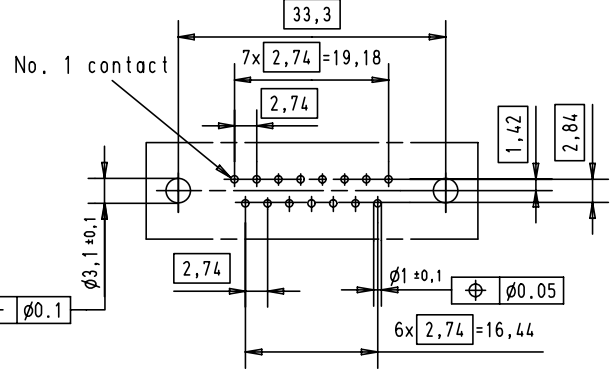
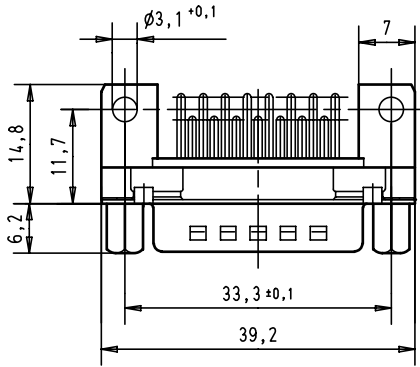
[sales@integrated-circuit.com](mailto:sales@integrated-circuit.com)



Mating face according to MIL-C-24308 / DIN 41 652 / CECC 75301-802

No. 1 contact



Printed board layout (1,6±0,2 thick)  
View component side  
(PCB plating = Tin)



						Det.		Name		 All Dim. in mm Orig. Size DIN A 4	D-Sub male standard 15 poles with solder pins and screw-lock	Maßstab/ Scale 1,5:1
						Detail.	23-NOV-01	JB				
						Insp.						
						Stand.						
09 66 223 6803	4-40 UNC	2										
09 66 223 7803	4-40 UNC	3										
09 66 223 5803	4-40 UNC	0,76 µm Au	29733	23-NOV-01	JB	HARTING EURL F-95972 Paris				TB 09 66 223 X80X	Blatt/ Page 3	
Part number	screw-lock	Performance level	Mod.	Det.	Name	Sub.						