



**Distributor of Harting: Excellent Integrated System Limited**

Datasheet of 09662626811 - D-Sub Connector Plug, Male Pins 15 Position Through Hole, Right Angle Solder

Contact us: [sales@integrated-circuit.com](mailto:sales@integrated-circuit.com) Website: [www.integrated-circuit.com](http://www.integrated-circuit.com)

---

## **Excellent Integrated System Limited**

Stocking Distributor

Click to view price, real time Inventory, Delivery & Lifecycle Information:

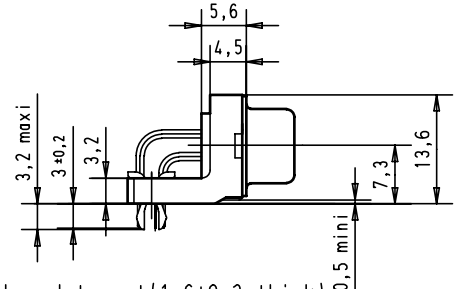
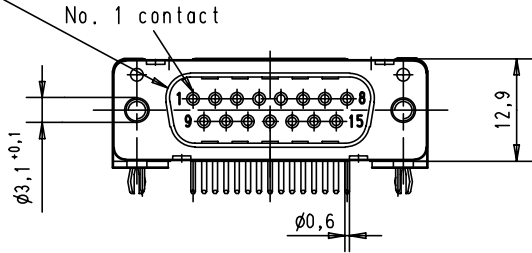
[Harting](#)

[09662626811](#)

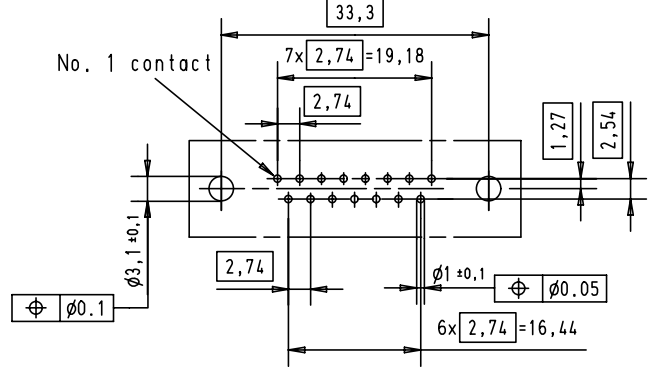
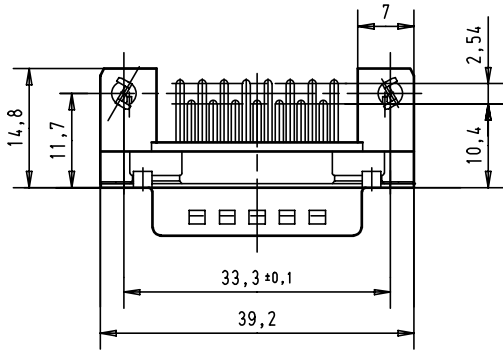
For any questions, you can email us directly:

[sales@integrated-circuit.com](mailto:sales@integrated-circuit.com)

Mating face according to MIL-C-24308 / DIN 41 652 / CECC 75301-802



Printed board layout (1,6±0,2 thick)  
View component side  
(PCB plating = Tin)



Mounting force on Printed board : 25 - 80 N

09 66 262 6811	M3	2				Det.	Name	 All Dim. in mm Orig. Size DIN A 4	D-Sub male standard 15 poles with solder pins, nuts, board lock and grounding pins	Maßstab/ Scale 1,5:1
09 66 262 7811	M3	3			Detail.	26-OCT-01	JB			
09 66 262 5811	M3	0,76 µm Au			Insp.					
09 66 262 6812	4-40 UNC	2			Stand.					
09 66 262 7812	4-40 UNC	3				HARTING EURL F-95972 Paris			<b>TB 09 66 262 X81X</b>	Blatt/ Page 1 /
09 66 262 5812	4-40 UNC	0,76 µm Au	29725	26-OCT-01	JB					
Part number	nut thread	Performance level	Mod.	Det.	Name					