



**Distributor of Harting: Excellent Integrated System Limited**

Datasheet of 09662626813 - D-Sub Connector Plug, Male Pins 15 Position Through Hole, Right Angle Solder

Contact us: [sales@integrated-circuit.com](mailto:sales@integrated-circuit.com) Website: [www.integrated-circuit.com](http://www.integrated-circuit.com)

---

## **Excellent Integrated System Limited**

Stocking Distributor

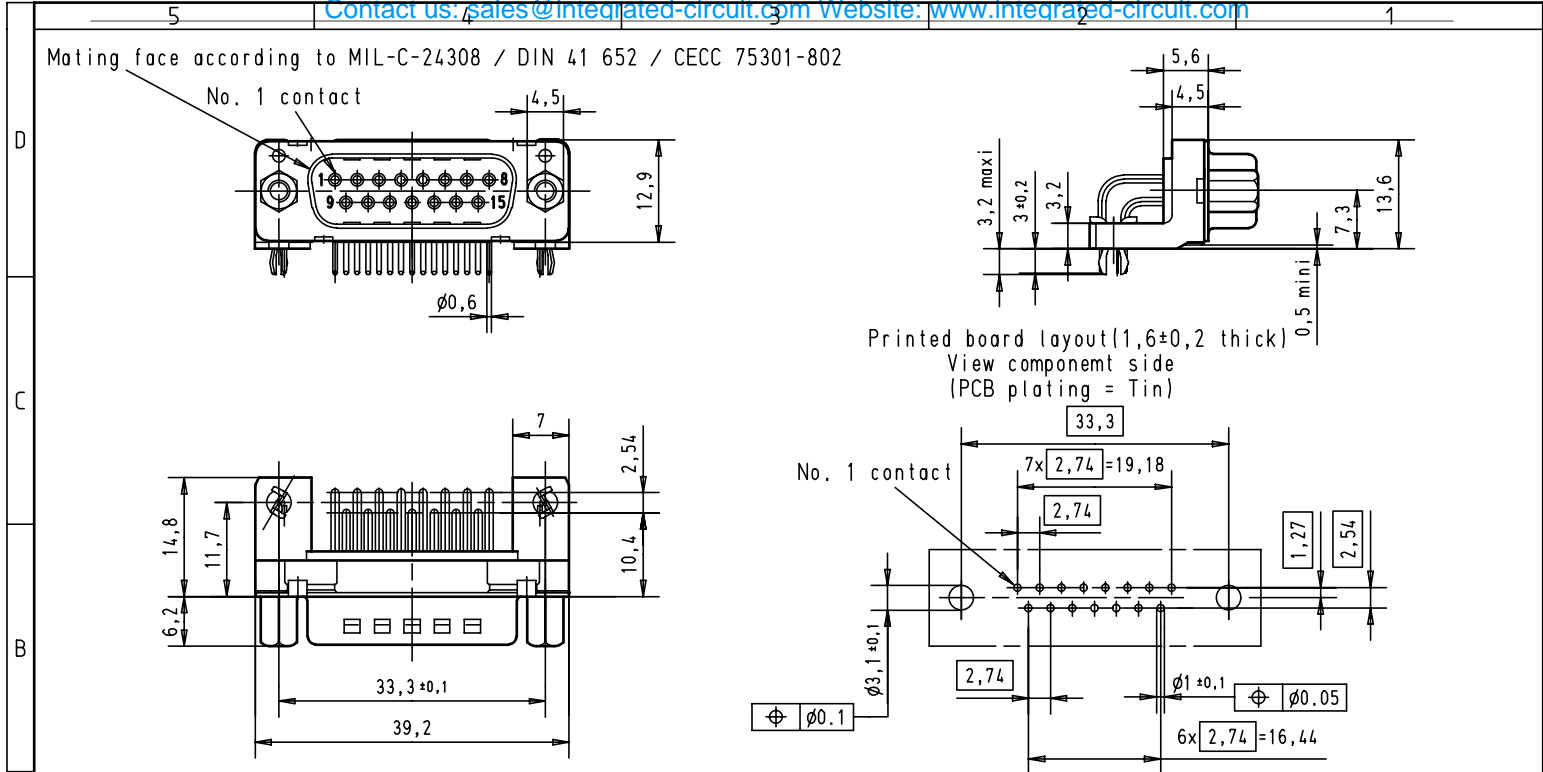
Click to view price, real time Inventory, Delivery & Lifecycle Information:

[Harting](#)

[09662626813](#)

For any questions, you can email us directly:

[sales@integrated-circuit.com](mailto:sales@integrated-circuit.com)



Printed board layout (1.6 ± 0.2 thick)  
View component side  
(PCB plating = Tin)

Mounting force on Printed board : 25 - 80 N

						<table border="1"> <tr> <td>Detail.</td> <td>26-OCT-01</td> <td>Name</td> <td>JB</td> </tr> <tr> <td>Insp.</td> <td></td> <td></td> <td></td> </tr> <tr> <td>Stand.</td> <td></td> <td></td> <td></td> </tr> </table>		Detail.	26-OCT-01	Name	JB	Insp.				Stand.						D-Sub male standard 15 poles with solder pins, screw-lock, board lock and grounding pins	Maßstab/ Scale 1,5:1
Detail.	26-OCT-01	Name	JB																				
Insp.																							
Stand.																							
			All Dim. in mm Orig. Size DIN A 4																				
09 66 262 6813	4-40 UNC	2																					
09 66 262 7813	4-40 UNC	3																					
09 66 262 5813	4-40 UNC	0,76 µm Au	29725	26-OCT-01	JB			Blatt/ Page 3															
Part number	screw-lock	Performance level	Mod.	Det.	Name	HARTING EURL F-95972 Paris																	
							TB 09 66 262 X81X	Sub.															