

## Excellent Integrated System Limited

Stocking Distributor

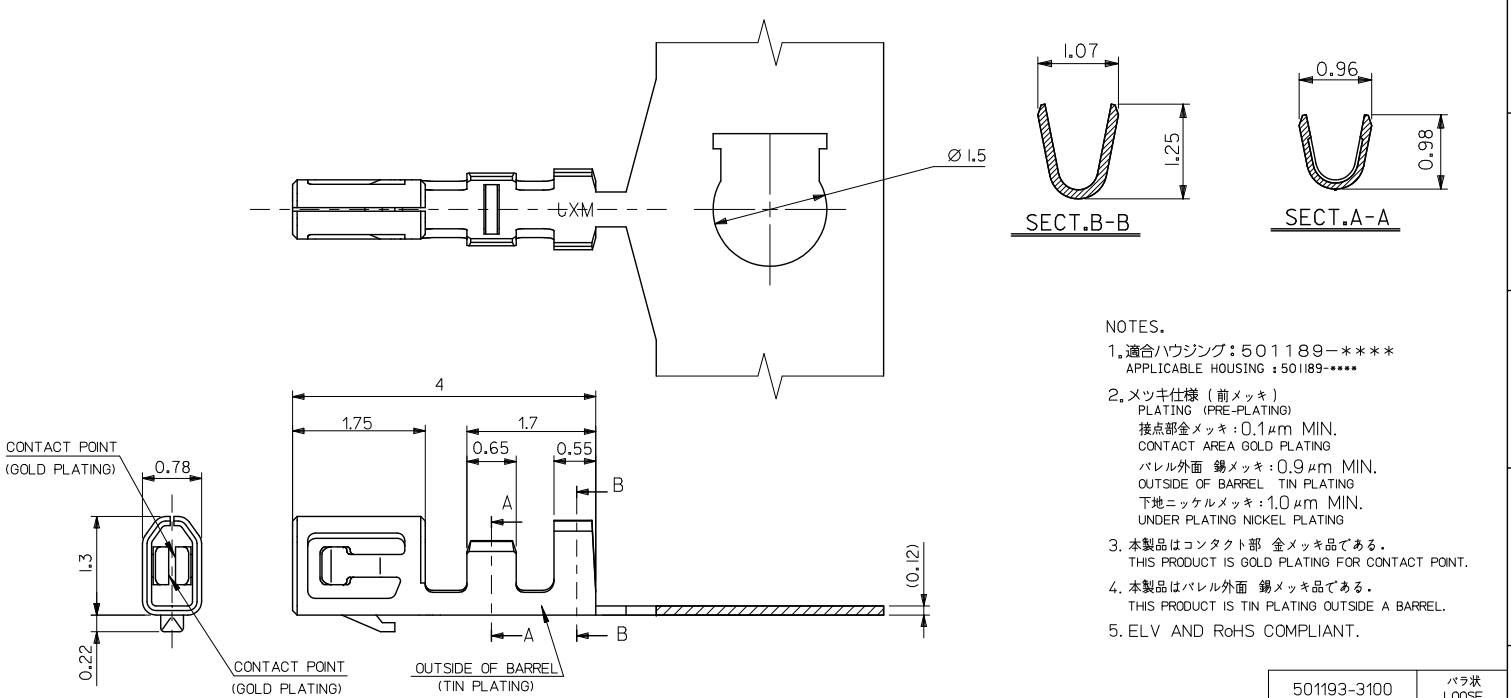
Click to view price, real time Inventory, Delivery & Lifecycle Information:

[Molex Connector Corporation](#)  
[5011933000](#)

For any questions, you can email us directly:

[sales@integrated-circuit.com](mailto:sales@integrated-circuit.com)

10 9 8 7 6 5 4 3 2 1



- NOTES.
1. 適合ハウジング: 501189-\*\*\*  
APPLICABLE HOUSING: 501189-\*\*\*\*
  2. メッキ仕様 (前メッキ)  
PLATING (PRE-PLATING)  
接点部金メッキ: 0.1μm MIN.  
CONTACT AREA GOLD PLATING  
バレル外面 錫メッキ: 0.9μm MIN.  
OUTSIDE OF BARREL TIN PLATING  
下地ニッケルメッキ: 1.0μm MIN.  
UNDER PLATING NICKEL PLATING
  3. 本製品はコンタクト部 金メッキ品である。  
THIS PRODUCT IS GOLD PLATING FOR CONTACT POINT.
  4. 本製品はバレル外面 錫メッキ品である。  
THIS PRODUCT IS TIN PLATING OUTSIDE A BARREL.
  5. ELV AND RoHS COMPLIANT.

501193-3100	バラ状 LOOSE
501193-3000	連鎖状 CHAIN
MATERIAL NO.	端子形状 FORM

<b>MATERIAL</b> リン青銅 下地ニッケル、部分金メッキ、錫メッキ品 PHOSPHOR BRONZE t=0.12 SELECTIVE GOLD PLATING SELECTIVE TIN PLATING UNDER NICKEL PLATING	<b>FINISH</b> SEE NOTE	<b>WIRE RANGE</b> AWG#28-32	<b>INS. RANGE</b> φ 0.4-0.8	<b>RELEASED</b> EC NO. J2011-0328 DRAWN: TKON CHKD: CHIKO APPR: NUKITA	<b>GENERAL TOLERANCES (UNLESS SPECIFIED)</b> 10 UNDER ± 0.2 10 OVER 30 UNDER ± 0.25 30 OVER ± 0.3 ANGULAR ± 3 ° DRAFT WHERE APPLICABLE MUST REMAIN WITHIN DIMENSIONS	<b>DIMENSION STYLE</b> MM ONLY	<b>SCALE</b> 20:1	<b>DESIGN UNITS</b> METRIC	<b>THIRD ANGLE PROJECTION</b>	<b>TITLE</b> 1.0 WIRE TO BOARD CONN. CRIMP REC TERMINAL	<b>APPROVED BY</b> NUKITA	<b>DATE</b> 2010/09/02	<b>MOLEX INCORPORATED</b>	<b>MATERIAL NO.</b> SD-501193-003	<b>DOCUMENT NO.</b> SD-501193-003	<b>SHEET NO.</b> 1 OF 1