



Distributor of BUD Industries, Inc.: Excellent Integrated System Limited

Datasheet of MD-1960 - CABINET STEEL BLU/WHT 13"L X 8"W

Contact us: sales@integrated-circuit.com Website: www.integrated-circuit.com

Excellent Integrated System Limited

Stocking Distributor

Click to view price, real time Inventory, Delivery & Lifecycle Information:

[BUD Industries, Inc.](#)

[MD-1960](#)

For any questions, you can email us directly:

sales@integrated-circuit.com

PART NAME	FUTURA CABINET	PART No.	MD-1960 THRU MD-1962
-----------	----------------	----------	----------------------

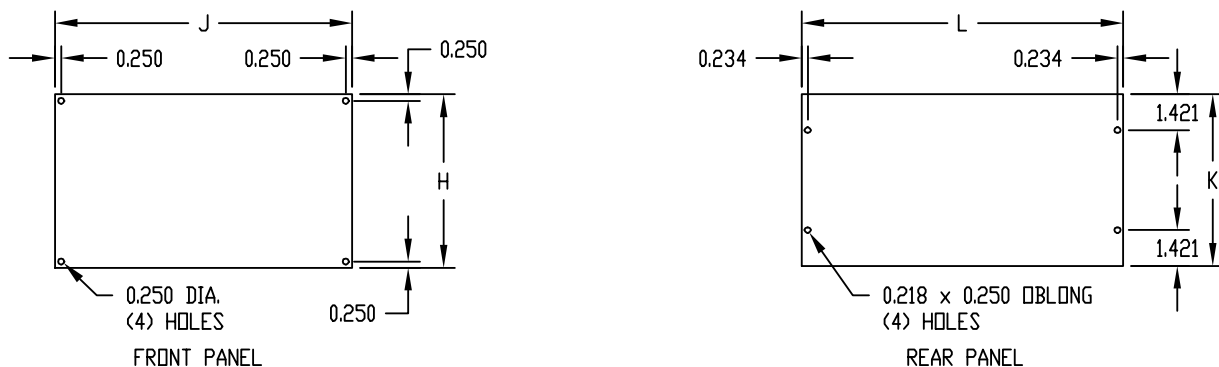
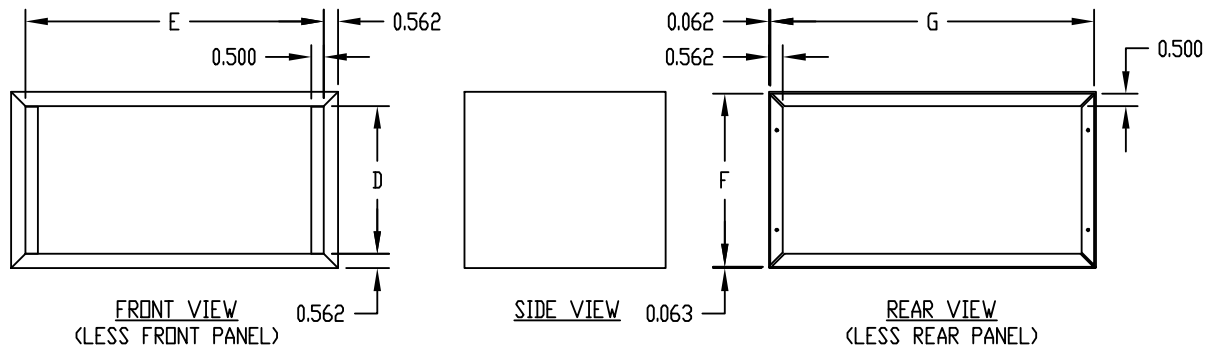
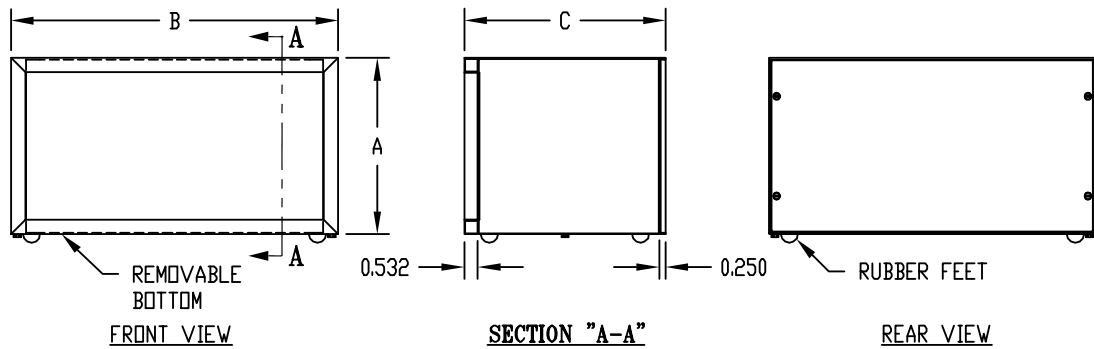
MATERIAL:

BODY, BOTTOM & REAR PANEL ____ 20 GA. STEEL
 FRONT PANEL ____ 18 GA. STEEL

FINISH:

BODY, BOTTOM & REAR PANEL ____ ROYAL BLUE TEXTURED
 FRONT PANEL ____ WHITE TEXTURED
 RUBBER FEET ____ GRAY

BOTTOM AND REAR PANEL ASSEMBLED WITH #6 x 1/4 LG. SELF TAPPING SCREWS.



(HOLES IN PANEL ARE FOR HANGING DURING THE FINISHING OPERATION)

PART No.	OVERALL			PANEL SPACE				PANELS			
				FRONT		REAR		FRONT		REAR	
	A	B	C	D	E	F	G	H	J	K	L
MD-1960	7.000	13.000	8.000	5.875	11.875	6.875	12.875	6.890	11.812	6.812	12.781
MD-1961	8.000	14.000	9.000	6.875	12.875	7.875	13.875	7.890	12.812	7.812	13.781
MD-1962	8.000	16.000	9.000	6.875	14.875	7.875	15.875	7.890	14.812	7.812	15.781