

Excellent Integrated System Limited

Stocking Distributor

Click to view price, real time Inventory, Delivery & Lifecycle Information:

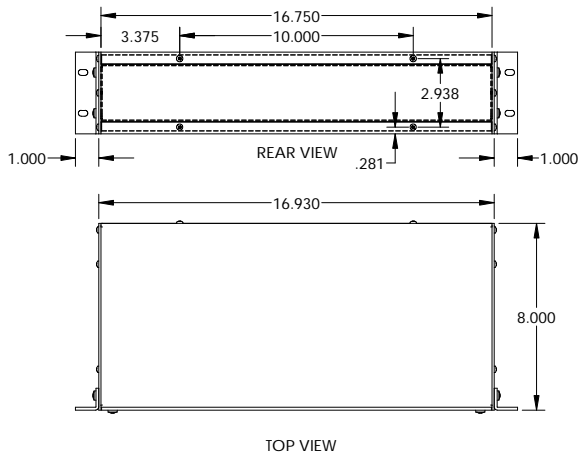
[BUD Industries, Inc.](#)

[NHC-14154](#)

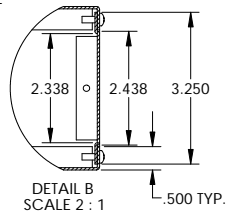
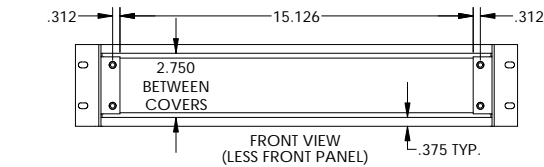
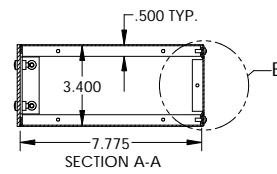
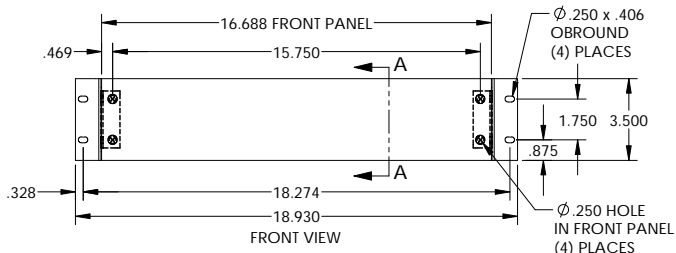
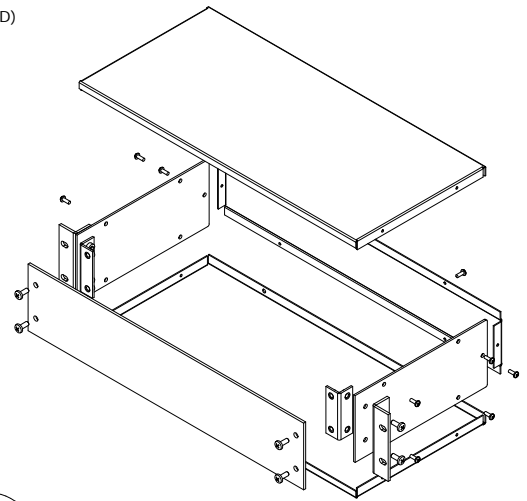
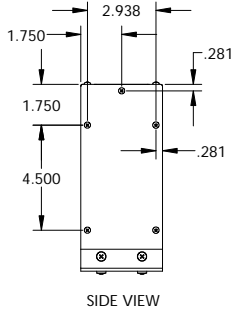
For any questions, you can email us directly:

sales@integrated-circuit.com

PART NAME	VALU/LINE SERIES CABINET	PART No.	NHC-14154	REVISION DATE	11-1-07
-----------	--------------------------	----------	-----------	---------------	---------



UNIT SHIPPED UNASSEMBLED.
 OUTER BRACKETS FOR MOUNTING IN STANDARD 19" WIDE CABINETS.
 OPTIONAL SELF-ADHESIVE RUBBER FEET (SUPPLIED)
 LOAD RATING: 25 LBS. MAX.



- MATERIAL:
- BACK & COVERS _____ 0.050 THICK ALUMINUM
 - SIDES & INNER BRACKETS _____ 0.090 THICK ALUMINUM
 - FRONT PANEL _____ 0.125 THICK ALUMINUM
 - OUTER BRACKETS _____ 11 GA. C.R.S.
- FINISH:
- BACK & COVERS _____ PREPAINTED SMOOTH WHITE
 - SIDES & OUTER BRACKETS _____ WHITE TEXTURED
 - FRONT PANEL _____ NATURAL (OUTSIDE SURFACE TAPED WITH PVC)
 - INNER BRACKETS _____ NATURAL
 - FEET _____ BLACK