



Distributor of BUD Industries, Inc.: Excellent Integrated System Limited

Datasheet of TC-300-GT - CABINET ALUM GRAY 7"L X 10.06"W

Contact us: [sales@integrated-circuit.com](mailto:sales@integrated-circuit.com) Website: [www.integrated-circuit.com](http://www.integrated-circuit.com)

---

## Excellent Integrated System Limited

Stocking Distributor

Click to view price, real time Inventory, Delivery & Lifecycle Information:

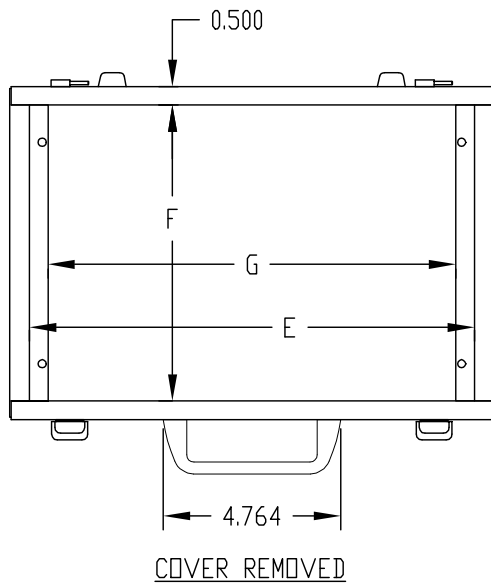
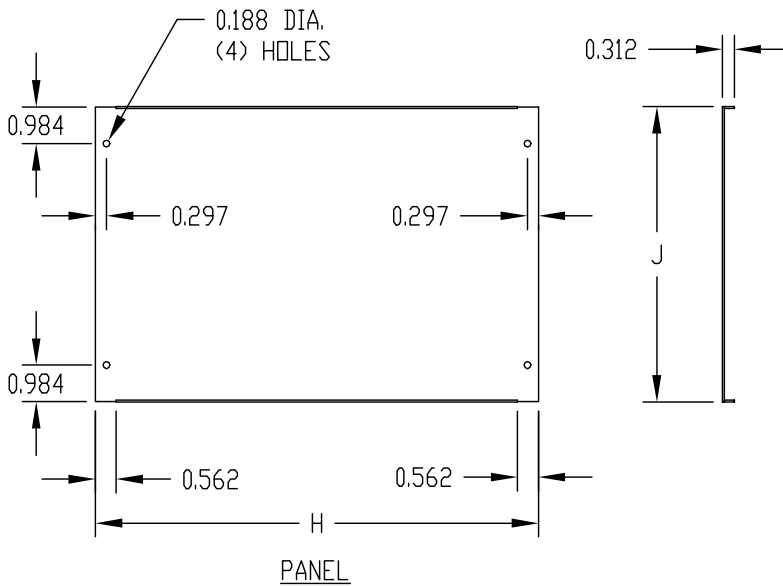
[BUD Industries, Inc.](#)

[TC-300-GT](#)

For any questions, you can email us directly:

[sales@integrated-circuit.com](mailto:sales@integrated-circuit.com)

PART NAME	TRANSICASE	PART No.	TC-300	TO	TC-303	REV. DATE	6-28-12
-----------	------------	----------	--------	----	--------	-----------	---------

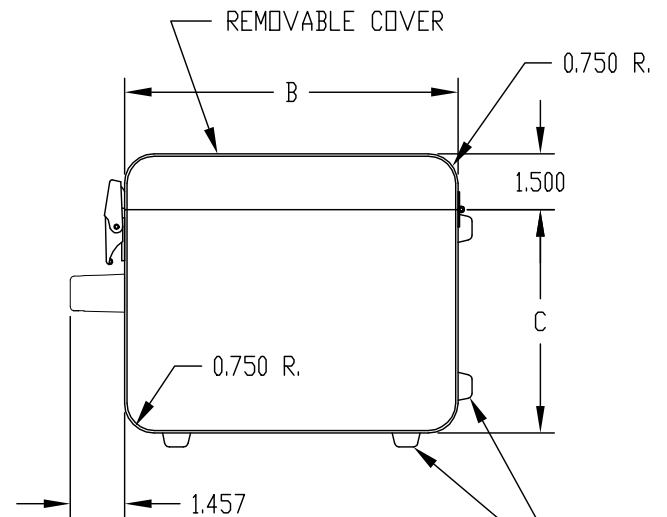
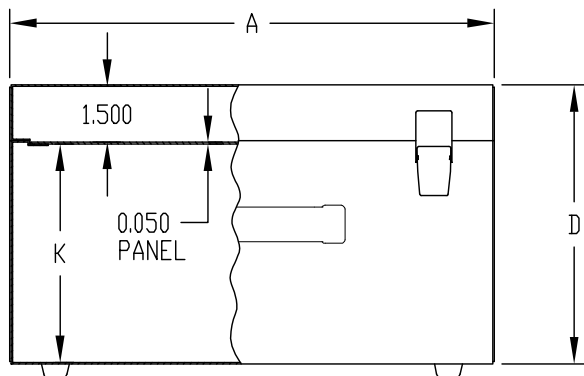


**MATERIAL:**

CASE BODY ASSEMBLY &  
COVER BODY ASSEMBLY \_\_\_\_\_ 0.040 THK. ALUMINUM  
PANEL \_\_\_\_\_ 0.050 THK. ALUMINUM  
HANDLE & FEET \_\_\_\_\_ PLASTIC  
CATCHES w/KEEPERS & HINGES \_\_\_\_\_ STEEL

**FINISH:**

CASE BODY ASSEMBLY, COVER BODY ASSEMBLY &  
PANEL \_\_\_\_\_ ROYAL BLUE TEXTURED  
OR GRAY TEXTURED  
HANDLE & FEET \_\_\_\_\_ BLACK  
CATCHES w/KEEPERS & HINGES \_\_\_\_\_ NICKEL PLATED



(4) PLASTIC FEET ON CASE BOTTOM & (4) ON CASE BACK