

Excellent Integrated System Limited

Stocking Distributor

Click to view price, real time Inventory, Delivery & Lifecycle Information:

[Integrated Device Technology \(IDT\)](#)
[M2006-03-491.5200](#)

For any questions, you can email us directly:

sales@integrated-circuit.com



Integrated Circuit Systems, Inc.

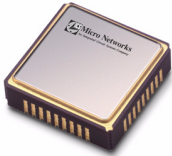
Product Data Sheet

M2006-03

CMTS DIRECT CONVERSION (ZERO IF) CLOCK SOURCE

GENERAL DESCRIPTION

The M2006-03 is a VCSO (Voltage Controlled SAW Oscillator) based clock generator PLL designed for frequency translation and jitter attenuation of a master reference clock in a cable modem termination system (CMTS). External loop filter components allow tailoring of the PLL loop response.



The M2006-03 includes a phase-slope limiting feature to prevent disruptive output clock phase changes upon input reference reselection.

FEATURES

- ◆ Integrated SAW (surface acoustic wave) delay line
- ◆ VCSO center frequency of 491.52MHz
- ◆ Jitter 9ps rms, typical, over 100Hz to 12kHz
Jitter 3ps rms, typical, over 12kHz to 1GHz
- ◆ PLL phase slope limiter circuit
- ◆ Single-ended reference inputs support LVCMOS, LVTTTL
- ◆ All output clocks are differential LVPECL compatible
- ◆ Two downstream clocks, frequency-selectable
- ◆ One upstream clock, frequency-selectable
- ◆ REF_OUT always provides a 10.24MHz reference clock
- ◆ All output rising edges aligned to within 1nsec of selected input reference rising edge (unless M2_SEL= 1)
- ◆ Output duty cycle 47-53% worst case
- ◆ Single 3.3V power supply
- ◆ Small 9 x 9 mm SMT (surface mount) package

PIN ASSIGNMENT (9 x 9 mm SMT)

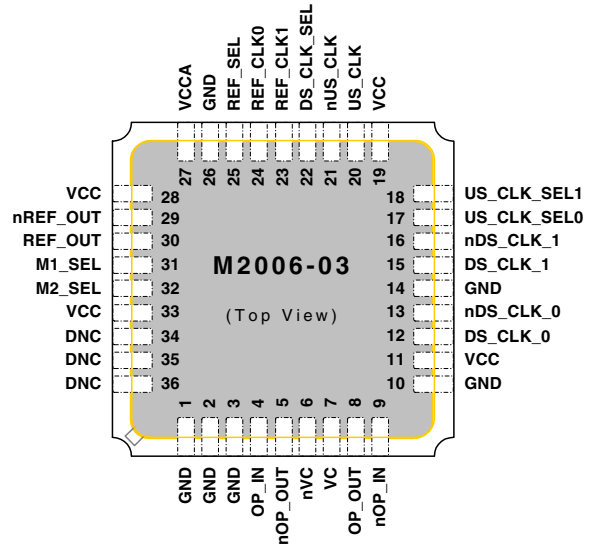


Figure 1: Pin Assignment

Selectable Frequencies (MHz) for M2006-03-491.5200

Input Ref. Clock:	2.048, 4.096, 10.24, or 20.48 MHz
VCSO Frequency:	491.52 MHz
Downstream Clock:	245.76 or 491.52 MHz
Upstream Clock:	40.96, 81.92, 163.84, or 491.52 MHz
Output Ref. Clock:	10.24 MHz

Table 1: Selectable Frequencies (MHz) for M2006-03-491.5200

SIMPLIFIED BLOCK DIAGRAM

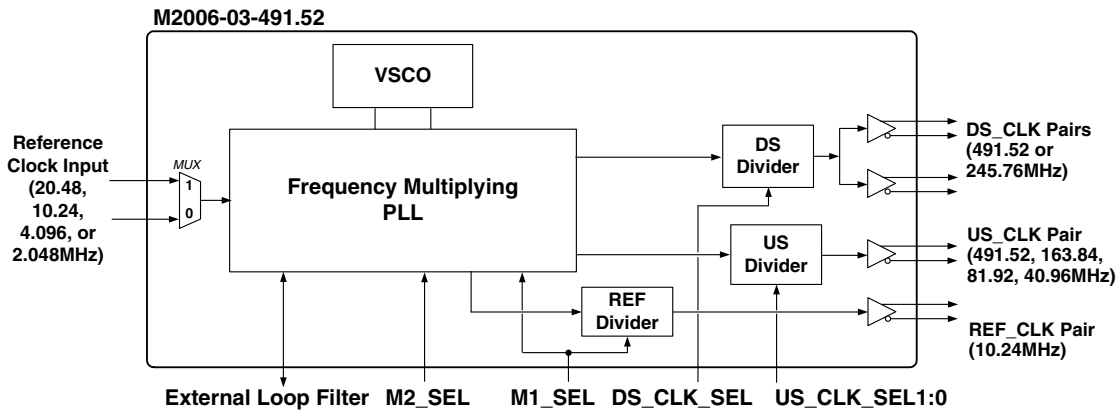


Figure 2: Simplified Block Diagram



Integrated
Circuit
Systems, Inc.

M2006-03
 CMTS DIRECT CONVERSION (ZERO IF) CLOCK SOURCE
 Product Data Sheet

DETAILED BLOCK DIAGRAM

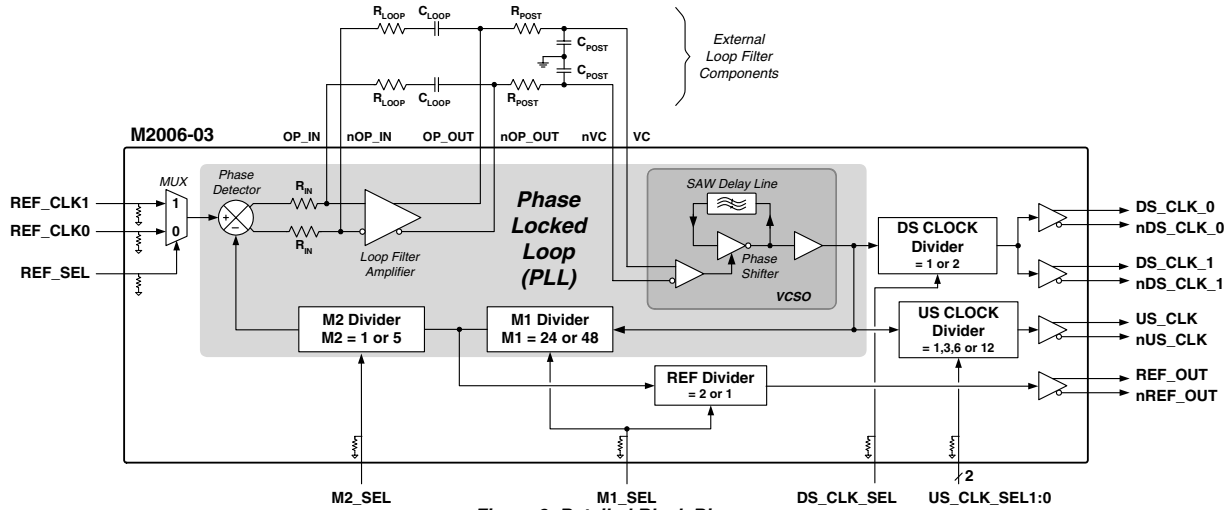


Figure 3: Detailed Block Diagram

PIN DESCRIPTIONS

Number	Name	I/O	Configuration	Description
1, 2, 3, 10, 14, 26	GND	Ground		Power supply ground.
4, 9	OP_IN, nOP_IN	Input		
5, 8	nOP_OUT, OP_OUT	Output		Used for external loop filter. See Figure 4.
6, 7	nVC, VC	Input		
11, 19, 28, 33	VCC	Power		Power supply connection, connect to +3.3V ¹
27	VCCA	Analog Power		Analog power connection, connect to +3.3V ²
12, 13	DS_CLK_0, nDS_CLK_0	Output	No internal terminator	Downstream clock output pairs. Differential LVPECL.
15, 16	DS_CLK_1, nDS_CLK_1			
20, 21	US_CLK_0, nUS_CLK			Upstream clock output pair. Differential LVPECL.
29, 30	nREF_OUT, REF_OUT,			Reference clock output pair. Differential LVPECL.
17, 18	US_CLK_SEL0, US_CLK_SEL1	Input	Internal pull-down resistor ³	Upstream Divider controls. LVCMOS/LVTTL. For US_CLK_SEL1:0: Logic 1 1 sets divider to 12 " 1 0 " " " 6 " 0 1 " " " 3 " 0 0 " " " 1
22	DS_CLK_SEL	Input	Internal pull-down resistor ³	Downstream Divider control. LVCMOS/LVTTL: Logic 1 sets divider to 2 Logic 0 sets divider to 1
23	REF_CLK1	Input	Internal pull-down resistor ³	Reference clock input 1. LVCMOS/LVTTL.
24	REF_CLK0			Reference clock input 0. LVCMOS/LVTTL.
25	REF_SEL	Input		Reference clock input select. LVCMOS/LVTTL: Logic 1 selects REF_CLK1 Logic 0 selects REF_CLK0
31	M1_SEL	Input	Internal pull-down resistor ³	M1 Divider control. LVCMOS/LVTTL: Logic 1 sets divider to 48 and REF Divider to 2 Logic 0 sets divider to 24 and REF Divider to 1
32	M2_SEL	Input		M2 Divider control. LVCMOS/LVTTL: Logic 1 sets divider to 5 Logic 0 sets divider to 1
34, 35, 36	DNC			Do Not Connect.

Table 2: Pin Descriptions

Note 1: Same potential as VCCA.

Note 2: Same potential as VCC.

Note 3: For typical values of internal pull-down resistors, see DC Characteristics, Pull-down on pg. 5.



Integrated
Circuit
Systems, Inc.

M2006-03

CMTS DIRECT CONVERSION (ZERO IF) CLOCK SOURCE

Product Data Sheet

FUNCTIONAL DESCRIPTION

The M2006-03 is a PLL (Phase Locked Loop) based clock generator that generates output clocks synchronized to one of two selectable input reference clocks.

An internal high "Q" SAW filter provides low jitter signal performance and controls the output frequency of the VCSO (Voltage Controlled SAW Oscillator). The VCSO center frequency is an integer multiple of the input reference frequency.

The M2006-03 is available with a 491.52MHz VCSO frequency that is specifically designed to support DOCSIS modem applications. As such, the M2006-03-491.520 (see "Ordering Information" on pg. 6) accepts input reference frequencies of: 2.048, 4.096, 10.24, and 20.48MHz.

Input Reference

The selectable reference inputs are applied to the REF_CLK1 and REF_CLK0 input pins as necessary.

The REF_SEL pin selects the reference input:

- REF_SEL = 1 selects REF_CLK1.
- REF_SEL = 0 selects REF_CLK0.

The selected reference clock is supplied directly to the phase detector of the PLL.

The PLL

The PLL (Phase Locked Loop) includes the phase detector, the VCSO, and two feedback dividers (labeled "M1 Divider" and "M2 Divider").

The product of the two feedback divider values equals the overall feedback divider value "M".

$$M1 \times M2 = M$$

The M1_SEL and M2_SEL pins select the individual M1 and M2 divider values and, taken in combination, the overall feedback divider value ("M").

M2_SEL	M1_SEL	M2 Value	M1 Value	Overall Feedback Divider "M" Value
1	1	5	48	240
1	0		24	120
0	1	1	48	48
0	0		24	24

Table 3: Combined Feedback Divider Selectors and Values

"M" is used to divide the VCSO frequency so that it matches the input reference frequency. The relationship between the VCSO frequency, the M Divider, and the input reference frequency is:

$$F_{vcs0} \div M = F_{ref_in}$$

For the M2006-03-491.5200, which has a VCSO frequency of 491.52MHz, the four feedback divider values enable use with these corresponding input reference frequencies:

M2006-03-491.5200 VCSO Frequency (MHz) \div	M Feedback Divider Value =	M2006-03-491.5200 Input Reference Frequency (MHz)
491.52	240	2.048
	120	4.096
	48	10.24
	24	20.48

Table 4: Feedback Divider Values and Input Reference Frequencies

Because both inputs to the phase detector have the same frequency, the PLL can control the VCSO to keep it locked to the input reference clock.

Post-PLL Dividers

The M2006-03 also features three post-PLL dividers: the downstream ("DS") divider, the upstream ("US") divider, and the output reference ("REF") divider.

The DS Divider: Divides the VCSO frequency to produce one of two downstream output frequencies (1/2 or 1/1 of the VCSO frequency). The DS_CLK_SEL pin determines the DS Divider value.

DS_CLK_SEL	DS Value	M2006-03-491.5200 Downstream Output Frequencies (MHz)
1	2	245.76
0	1	491.52

Table 5: Downstream Divider Selector, Values, and Frequencies

The US Divider: Divides the VCSO frequency to produce one of four upstream output frequencies (1/12, 1/6, 1/3 or 1/1 of the VCSO frequency). The US_CLK_SEL1 and US_CLK_SEL0 pins determine the US Divider value.

US_CLK_SEL1	US_CLK_SEL0	US Value	M2006-03-491.5200 Upstream Output Frequencies (MHz)
1	1	12	40.96
1	0	6	81.92
0	1	3	163.84
0	0	1	491.52

Table 6: Upstream Divider Selectors, Values, and Frequencies

The REF Divider: Used along with the M1 divider value to ensure that the output system reference clock always equals the VCSO frequency divided by 48. The M1_SEL pin determines the REF Divider value.

M1_SEL	REF Value	M2006-03-491.5200 VCSO Frequency (MHz) \div	M1 Value \times	REF Value \times	M2006-03-491.5200 REF Output Frequency (MHz)
1	1	491.52	48	1	10.24
0	2		24	2	

Table 7: M1 Selector and REF Divider Values and Frequencies



Integrated
Circuit
Systems, Inc.

M2006-03

CMTS DIRECT CONVERSION (ZERO IF) CLOCK SOURCE
Product Data Sheet

Outputs

The M2006-03 provides a total of four differential LVPECL output pairs:

- **Downstream** - The selected frequency is output from DS_CLK_0 and from DS_CLK_1.
- **Upstream** - The selected frequency is output from US_CLK.
- **System reference** - The 10.24MHz clock is output from REF_OUT.

External Loop Filter

To provide stable PLL operation, and thereby a low jitter output clock, the M2006-03 requires the use of an external loop filter. This is provided via the provided filter pins (see Figure 4).

Due to the differential signal path design, the implementation requires two identical complementary RC filters as shown here.

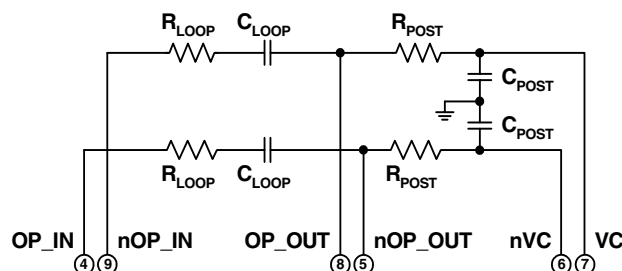


Figure 4: External Loop Filter

External Loop Filter Component Values for M2006-03-491.520

Input Ref. Clock Freq.	PLL Bandwidth	Damping Factor	R loop	C loop	R post	C post
20.48MHz	1kHz	1.6	9.1kΩ	0.22μF	20kΩ	250pF
10.24MHz	1kHz	2.7	20kΩ	0.22μF	20kΩ	250pF
4.096MHz	1kHz	2.0	50kΩ	0.047μF	20kΩ	250pF
2.048MHz	1kHz	2.7	100kΩ	0.047μF	20kΩ	250pF

Table 8: External Loop Filter Component Values for M2006-03-491.520

ABSOLUTE MAXIMUM RATINGS¹

Symbol	Parameter	Rating	Unit
V _I	Inputs	-0.5 to V _{CC} +0.5	V
V _O	Outputs	-0.5 to V _{CC} +0.5	V
V _{CC}	Power Supply Voltage	4.6	V
T _S	Storage Temperature	-45 to +100	°C

Table 9: Absolute Maximum Ratings

Note 1: Stresses beyond those listed under Absolute Maximum Ratings may cause permanent damage to the device. These ratings are stress specifications only. Functional operation of product at these conditions or any conditions beyond those listed in Recommended Conditions of Operation, DC Characteristics, or AC Characteristics is not implied. Exposure to absolute maximum rating conditions for extended periods may affect product reliability.

RECOMMENDED CONDITIONS OF OPERATION

Symbol	Parameter	Min	Typ	Max	Unit
V _{CC}	Positive Supply Voltage	3.135	3.3	3.465	V
T _A	Ambient Operating Temperature	0		+70	°C

Table 10: Recommended Conditions of Operation



Integrated
Circuit
Systems, Inc.

M2006-03
 CMTS DIRECT CONVERSION (ZERO IF) CLOCK SOURCE
 Product Data Sheet

ELECTRICAL SPECIFICATIONS FOR M2006-03-491.520

DC Characteristics

Unless stated otherwise, $V_{CC} = 3.3 \text{ Volts} \pm 5\%^1$, $T_A = 0^\circ\text{C to } 70^\circ\text{C}$, VCSO Frequency = 491.52MHz, Outputs terminated with 50Ω to $V_{CC} - 2V$

Symbol	Parameter	Min	Typ	Max	Unit	Test Conditions
Power Supply	V_{CC} ¹	3.135	3.3	3.465	V	VCC = VCCA = 3.3V
	I_{CC}		162		mA	
All Inputs	V_{IH}	2		$V_{CC} + 0.3$	V	REF_SEL,
	V_{IL}	-0.3		0.8	V	M1_SEL, M2_SEL,
	I_{IH}			150	μA	US_CLK_SEL0,
	I_{IL}	-5			μA	US_CLK_SEL1,
	C_{in}				4	pF
Pull-down	$R_{pull\downarrow}$	Internal Pull-down Resistor (All Inputs)		51	k Ω	REF_CLK0, REF_CLK1
Differential Outputs	V_{OH}	$V_{CC} - 1.4$		$V_{CC} - 1.0$	V	US_CLK, nUS_CLK,
	V_{OL}	$V_{CC} - 2.0$		$V_{CC} - 1.7$	V	DS_CLK_0, nDS_CLK_0,
	V_{P-P}	0.6		0.85	V	DS_CLK_1, nDS_CLK_1,
						REF_OUT, nREF_OUT

Note 1: V_{CC} applies to both VCC and VCCA pins (i.e., VCC = VCCA = 3.3V)

Table 11: DC Characteristics

AC Characteristics

Unless stated otherwise, $V_{CC} = 3.3 \text{ Volts} \pm 5\%^1$, $T_A = 0^\circ\text{C to } 70^\circ\text{C}$, VCSO Frequency = 491.52MHz, Outputs terminated with 50Ω to $V_{CC} - 2V$

Symbol	Parameter	Min	Typ	Max	Unit	Test Conditions
Input Frequency Range	F_{IN}		20.48		MHz	M2_SEL=0, M1_SEL=0
			10.24		MHz	M2_SEL=0, M1_SEL=1
			4.096		MHz	M2_SEL=1, M1_SEL=0
			2.048		MHz	M2_SEL=1, M1_SEL=1
Output Frequency Range	F_{DS_OUT}		491.52		MHz	DS_CLK_SEL=0
			245.76		MHz	DS_CLK_SEL=1
	F_{US_OUT}		491.52		MHz	US_CLK_SEL1:0=00
			163.84		MHz	US_CLK_SEL1:0=01
			81.92		MHz	US_CLK_SEL1:0=10
	40.96		MHz	US_CLK_SEL1:0=11		
F_{REF_OUT}	Reference Output		10.24		MHz	REF_OUT, nREF_OUT
APR	VCSO Pull-Range	± 100	± 150		ppm	
Φ_n	Single Side Band Phase Noise @491.52MHz	1kHz Offset	-72		dBc/Hz	
		10kHz Offset	-94		dBc/Hz	
		100kHz Offset	-123		dBc/Hz	
J(t)	Jitter (rms)	Non-deterministic		9	ps	100Hz to 12kHz
				3	ps	12kHz to 1GHz
t_{PW}	Output Duty Cycle, High Time ²	47		53	%	
t_{LOCK}	PLL Lock Time			100	ms	
t_R	Output Rise Time ²	325	450	500	ps	20% to 80%
t_F	Output Fall Time ²	325	450	500	ps	20% to 80%
t_S	Input to Output Skew			1	ns	Rising Edge

Note 1: V_{CC} applies to both VCC and VCCA pins (i.e., VCC = VCCA = 3.3V)
 Note 2: See Parameter Measurement Information on pg. 6

Table 12: AC Characteristics



Integrated
Circuit
Systems, Inc.

M2006-03
 CMTS DIRECT CONVERSION (ZERO IF) CLOCK SOURCE
 Product Data Sheet

PARAMETER MEASUREMENT INFORMATION

Output Rise and Fall Time

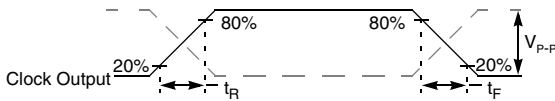


Figure 5: Output Rise and Fall Time

Output Duty Cycle

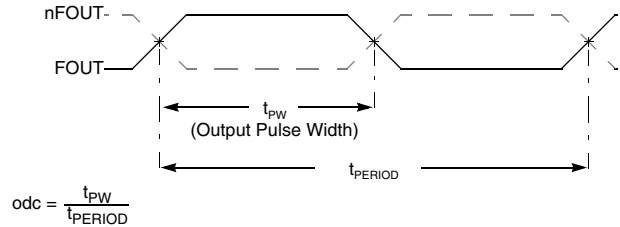
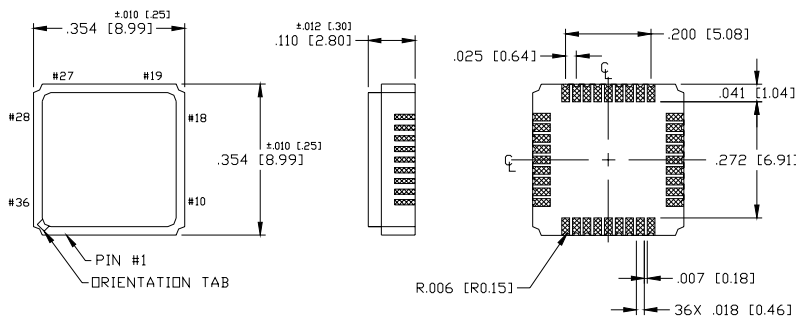


Figure 6: Output Duty Cycle

DEVICE PACKAGE - 9 x 9mm CERAMIC LEADLESS CHIP CARRIER
 Mechanical Dimensions:



Refer to the SAW PLL application notes web page at www.icst.com/products/appnotes/SawPllAppNotes.htm for application notes, including recommended PCB footprint, solder mask, and furnace profile.

- NOTES:
1. DIMENSIONS ARE IN INCHES, DIMENSIONS IN [] ARE MM.
 2. UNLESS OTHERWISE SPECIFIED ALL DIMENSIONS ARE ±.005 [0.13]

Figure 7: Device Package - 9 x 9mm Ceramic Leadless Chip Carrier

ORDERING INFORMATION

For VCISO Frequency (MHz)	Order Part Number
491.52	M2006-03-491.5200

Table 13: Ordering Information

Other frequencies available upon request.

While the information presented herein has been checked for both accuracy and reliability, Integrated Circuit Systems (ICS) assumes no responsibility for either its use or for the infringement of any patents or other rights of third parties, which would result from its use. No other circuits, patents, or licenses are implied. This product is intended for use in normal commercial applications. Any other applications such as those requiring extended temperature range, high reliability, or other extraordinary environmental requirements are not recommended without additional processing by ICS. ICS reserves the right to change any circuitry or specifications without notice. ICS does not authorize or warrant any ICS product for use in life support devices or critical medical instruments.