

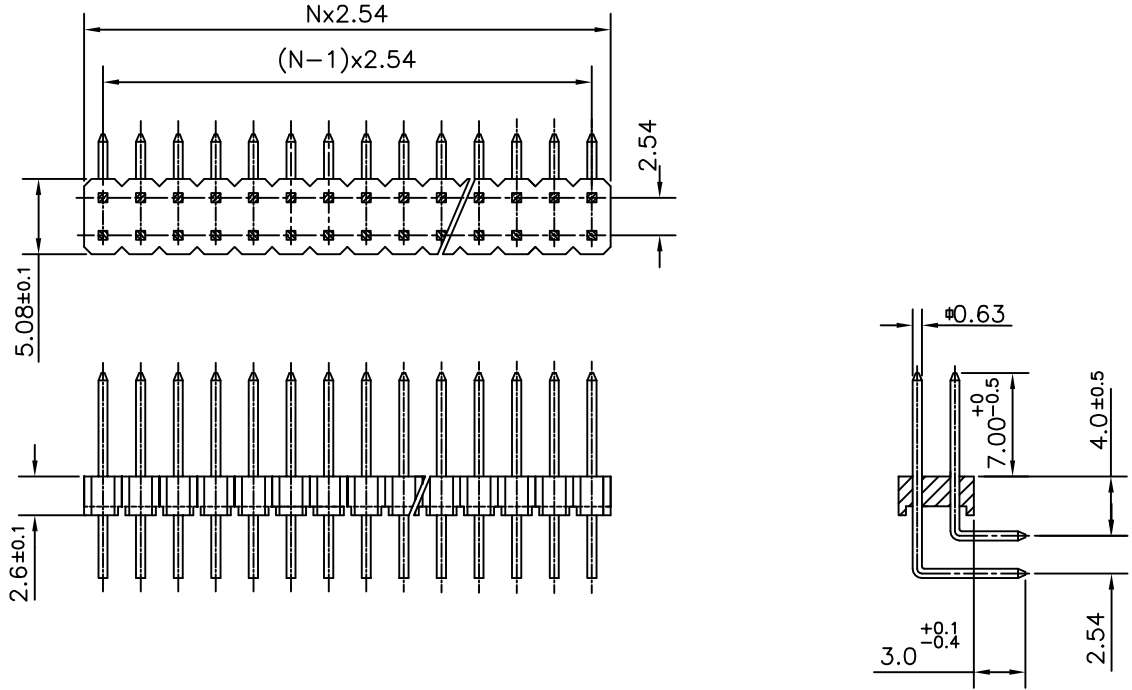
Excellent Integrated System Limited

Stocking Distributor

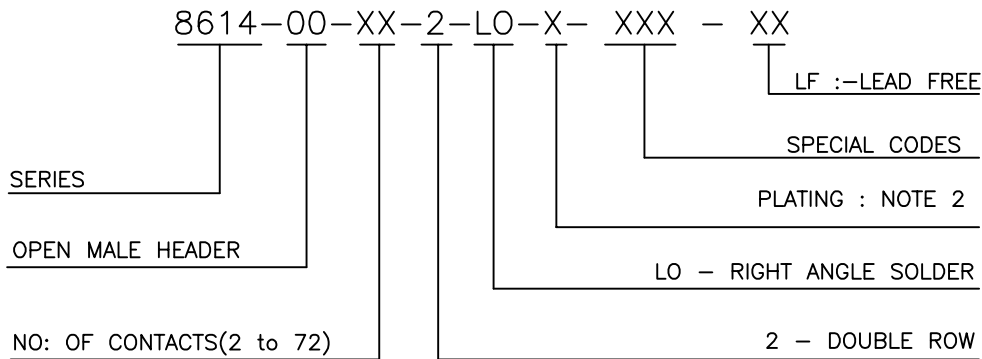
Click to view price, real time Inventory, Delivery & Lifecycle Information:

[FCI](#)
[861400062LO2LF](#)

For any questions, you can email us directly:
sales@integrated-circuit.com



ORDERING INFORMATION



Notes:

- 1, THE PRODUCT (LF) MEETS EUROPEAN UNION DIRECTIVES AND OTHER COUNTRY REGULATIONS AS DESCRIBED IN GS-22-008
2. FOR PLATING DETAILS AND TECHNICAL SPECIFICATION REFER DRAWING C-8614-0000

mat'l. code NOTE 2				surface ISO 1302 ✓		tolerance ISO 406 ISO 1101		projection 		product family 8614			
ltr	ecn no	dr	date	tolerances unless otherwise specified				MM ← →		title OPEN HEADER (DUAL ROW RIGHT ANGLE SOLDER)			
B	106-0116	AB	2006-07-20	angles	linear		±0.1						
C	106-0210	AB	2006-12-19	0°±1°				scale -		dwg no C-8614-0087 sheet 1 of 1 size A4			
D	108-0006	MINI	2008-01-17										
E	110-0093	GT	2010-04-13	dr	MINI K VANDANATH	1998-12-06						type Product Customer Drawing	
F	110-0136	GT	2010-06-23	enr	JAI.K.A	1998-12-06							
				chr	ALEX BABU	2008-01-17							
				appd	BIJU K PAUL	2008-01-17							
sheet	revision	F											



FCIconnect.com

Copyright FCI