



Excellent Integrated System Limited

Stocking Distributor

Click to view price, real time Inventory, Delivery & Lifecycle Information:

[Panasonic Electronic Components](#)
[AN7523N](#)

For any questions, you can email us directly:

sales@integrated-circuit.com

Prepared		Product Specifications AN7523N	Ref No.	A-1
Checked			Total Page	9
Approved			Page No.	1

Structure	Silicon Monolithic Bipolar IC
Appearance	SIL-9 Pin Plastic Package (Power Type with Fin)
Application	Low Frequency Amplifier
Function	BTL 4.0W x 1ch Power Amplifier with Standby Function and Volume Function

A Absolute Maximum Ratings					
No.	Item	Symbol	Ratings	Unit	Note
1	Storage Temperature	Tstg	-55 ~ +150	°C	1
2	Operating Ambient Temperature	Topr	-25 ~ +70	°C	1
3	Operating Ambient Pressure	Popr	1.013x10 ⁵ ±0.61x10 ⁵ (1.0±0.6)	Pa (atm)	
4	Operating Constant Acceleration	Gopr	9,810 (1000)	m/s ² (G)	
5	Operating Shock	Sopr	4,900 (500)	m/s ² (G)	
6	Supply Voltage	Vcc	14.4	V	2
7	Supply Current	Icc	1.0	A	
8	Power Dissipation	P _D	1.22	W	T _a =70°C

Operating Supply Voltage Range	Vcc	3.5V ~ 13.5V
--------------------------------	-----	--------------

Note 1) The temperature of all items shall be T_a=25°C except storage temperature and operating ambient temperature.

2) At no signal input.

Eff. Date	Eff. Date	Eff. Date	Eff. Date	
25-APR-2000	21-JUL-2000			

Prepared		Product Specifications AN7523N	Ref No.	B-1
Checked			Total Page	9
Approved			Page No.	2

B		Electrical Characteristics		(Unless otherwise specified, the ambient temperature is 25°C±2°C, Vcc=8.0V, frequency=1kHz and RL=8Ω.)					
No	Item	Symbol	Test Circuit	Conditions	Limits			Unit	Note
					min	typ	max		
1	Quiescent Circuit Current	ICQ	1	Vin=0V, Vol=0V	-	20	60	mA	
2	Standby Current	ISTB	1	Vin=0V, Vol=0V	-	1	10	μA	
3	Output Noise Voltage	VNO	1	Rg=10kΩ, Vol=0V	-	0.10	0.4	mVrms	1
4	Voltage Gain	Gv	1	Po=0.5W, Vol=1.25V	31	33	35	dB	
5	Total Harmonic Distortion	THD	1	Po=0.5W, Vol=1.25V	-	0.10	0.5	%	
6	Maximum Power Output 1	PO1	1	THD=10%, Vol=1.25V	2.4	3.0	-	W	
7	Maximum Power Output 2	PO2	1	Vcc=9V THD=10%, Vol=1.25V	3.2	4.0	-	W	
8	Ripple Rejection Ratio	RR	1	Rg=10kΩ, Vol=0V Vr=0.5Vrms, fr=120Hz	30	50	-	dB	1
9	Output Offset Voltage	Voff	1	Rg=10kΩ, Vol=0V	-250	0	250	mV	
10	Volume Attenuation Ratio	Att	1	Po=0.5W, Vol=0V	70	85	-	dB	1
11	Middle Voltage Gain	Gvm	1	Po=0.5W, Vol=0.6V	20.5	23.5	26.5	dB	

Note 1) For this measurement, use the BPF = 15Hz ~ 30kHz (12dB/OCT).

Eff. Date	Eff. Date	Eff. Date	Eff. Date
25-APR-2000	21-JUL-2000		

Prepared		Product Specifications (Reference Data for Design) AN7523N	Ref No.	B-2
Checked			Total Page	9
Approved			Page No.	3

B		Electrical Characteristics (Unless otherwise specified, the ambient temperature is 25°C±2°C, Vcc=8.0V, frequency=1kHz and RL=8Ω.)							
No	Item	Symbol	Test Circuit	Conditions	Limits			Unit	Note
					min	typ	max		
1	Standby pin current	ISTB2	1	Vin=0V, VSTB=3V	-	-	25	μA	
2	Volume pin current	IvOL	1	Vin=0V, Vol=0V	-12	-	-	μA	
3	Input Impedance	Zi	1	Vin=±0.3VDC	24	30	36	kΩ	

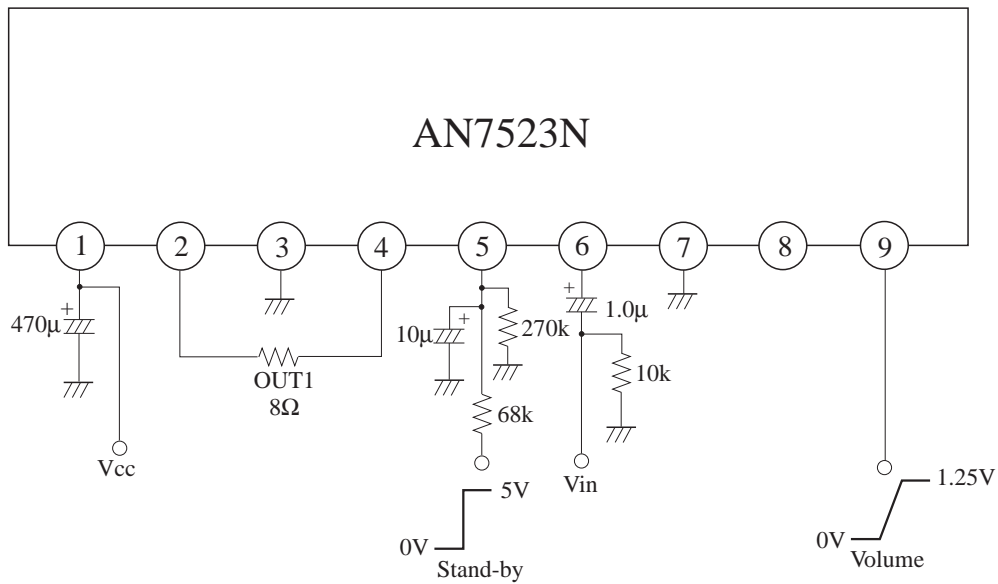
Note) The above characteristics are reference values determined for IC design, but not guaranteed values for shipping inspection. If problems were to occur, counter measures will be sincerely discussed.

Eff. Date	Eff. Date	Eff. Date	Eff. Date
25-APR-2000	21-JUL-2000		

Prepared		Product Specifications AN7523N	Ref No.	C-1
Checked			Total Page	9
Approved			Page No.	4

(Description of test circuit and test method)

Test Circuit 1

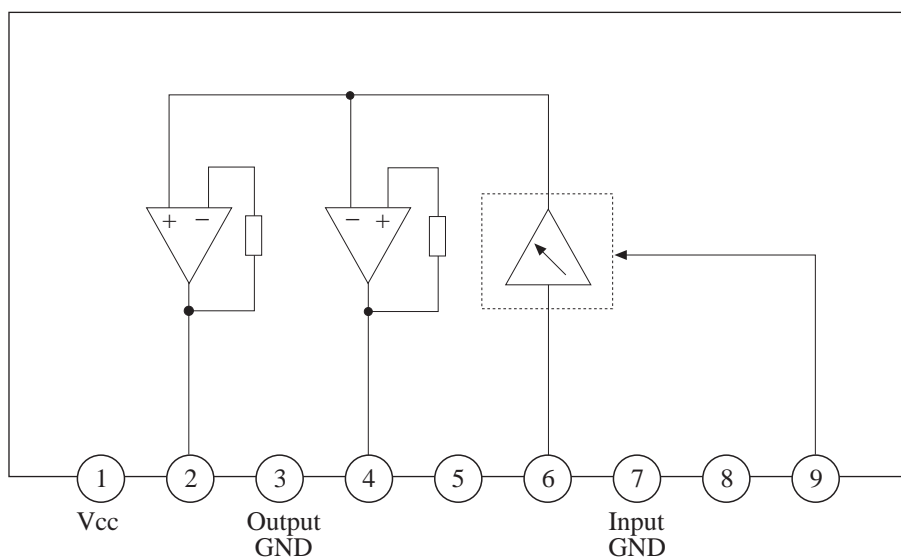


Note) If the standby pin is open or 0V, the IC is on standby state.
 The IC is in the state of volume minimum if the Volume pin is ground.
 The IC is in the state of volume maximum if the Volume pin is open.

Eff. Date	Eff. Date	Eff. Date	Eff. Date	
25-APR-2000	21-JUL-2000			

Prepared		Product Specifications AN7523N	Ref No.	D-1
Checked			Total Page	9
Approved			Page No.	5

Circuit Function Block Diagram



Pin Descriptions

Pin No.	Description
1	Vcc
2	Ch Output (+)
3	GND (Output)
4	Ch Output (-)
5	Standby
6	Ch Input
7	GND (Input)
8	N.C
9	Volume

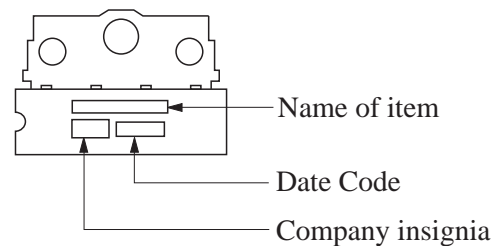
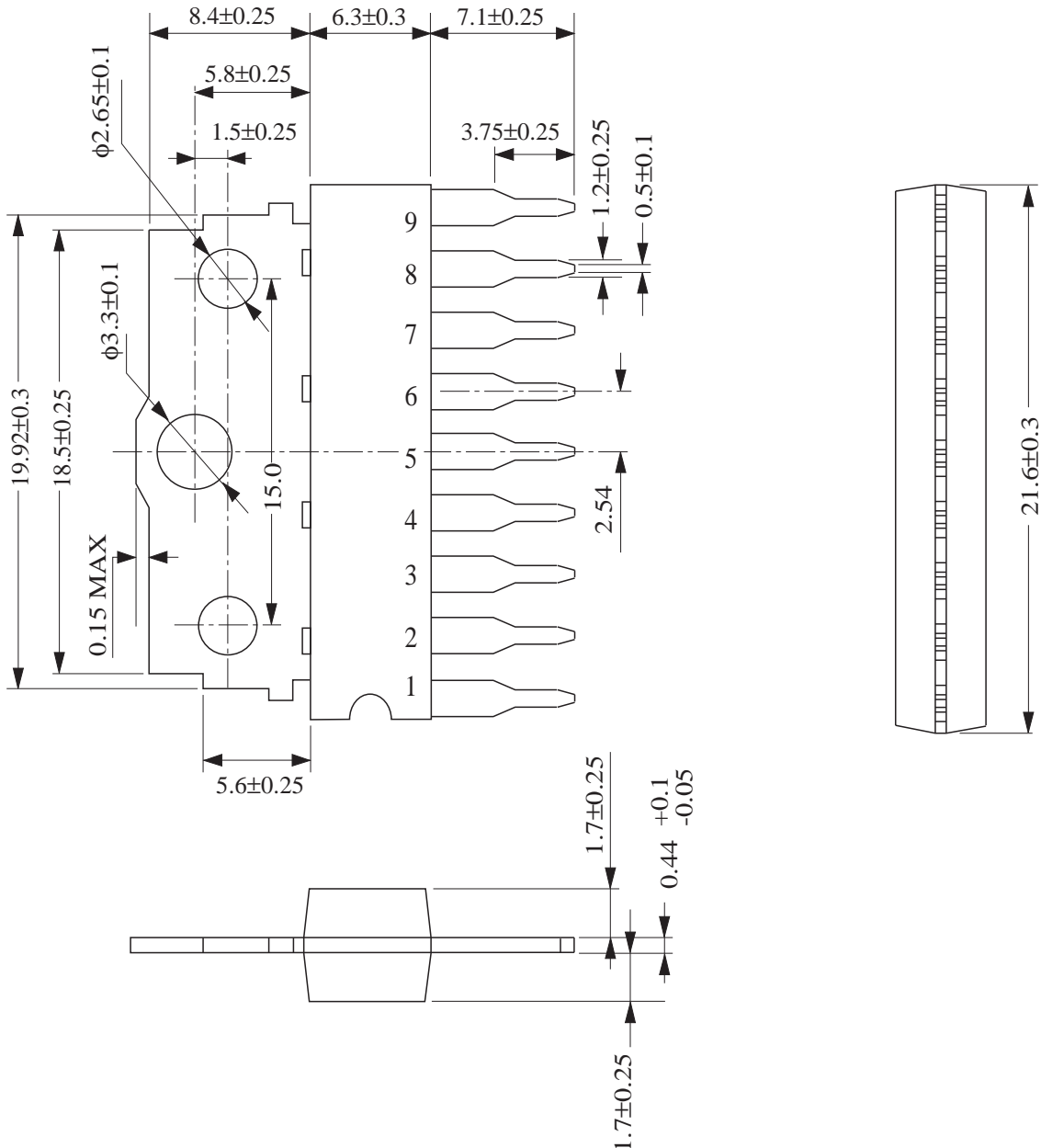
Note) Do not apply voltage or current to NC pin from outside.

Eff. Date	Eff. Date	Eff. Date	Eff. Date	
25-APR-2000	21-JUL-2000			

Prepared		Product Specifications AN7523N	Ref No.	E
Checked			Total Page	9
Approved			Page No.	6

Package Name	F - 9S
--------------	--------

Unit : mm



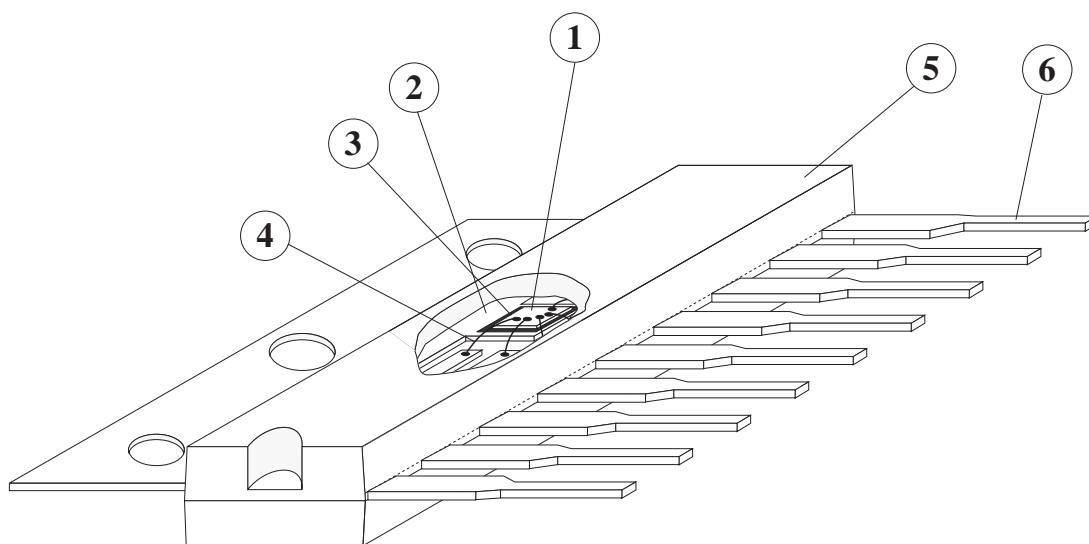
Eff. Date	Eff. Date	Eff. Date	Eff. Date	
25-APR-2000	21-JUL-2000			

Prepared		Product Specifications AN7523N	Ref No.	F-1
Checked			Total Page	9
Approved			Page No.	7

(Structure Description)

Chip surface passivation	SiN, PSG, Others ()	①
Lead frame material	Fe group, Cu group, Others ()	②, ⑥
Inner lead surface process	Ag plating, Au plating, Others ()	②
Outer lead surface process	Solder plating, Solder dip, Others ()	⑥
Chip mounting method	Ag paste, Au-Si alloy, Solder, Others ()	③
Wire bonding method	Thermalsonic bonding, Others ()	④
Wire material, Diameter	Au, Diameter 30 μm, Others ()	④
Mold material	Epoxy, Others ()	⑤
Molding method	Transfer mold, Multiplunger mold, Others ()	⑤

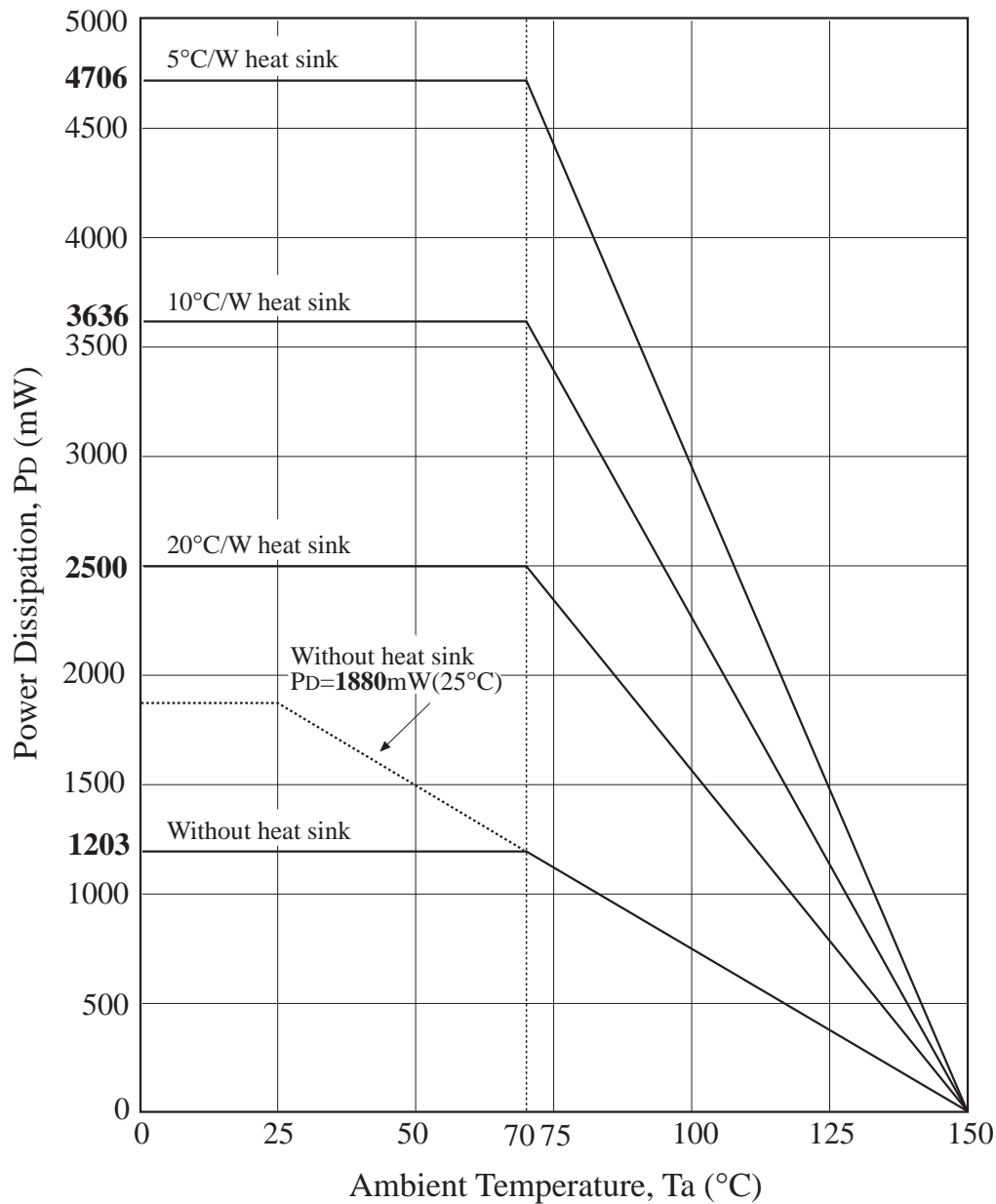
Package 9-SIP(F)



Eff. Date	Eff. Date	Eff. Date	Eff. Date
25-APR-2000	21-JUL-2000		

Prepared		Product Specifications (Technical Data) AN7523N	Ref No.	G
Checked			Total Page	9
Approved			Page No.	8

$(R_{th(j-c)} = 12.0^{\circ}\text{C/W})$
 $(R_{th(j-a)} = 66.5^{\circ}\text{C/W})$
F-9S Package Power Dissipation
 $P_D - T_a$



Eff. Date	Eff. Date	Eff. Date	Eff. Date
25-APR-2000	21-JUL-2000		

Prepared		Product Specifications AN7523N	Ref No.	H
Checked			Total Page	9
Approved			Page No.	9

(Precautions for use)

- 1) Make sure that the IC is free of any pin short-circuiting, ground short, and load short-circuiting.
- 2) Ground the radiation fin so that there will be no difference in electric potential between the radiation fin and ground.
- 3) The thermal protection circuit operates at a Tj of approximately 150°C. The thermal protection circuit is reset automatically when the temperature drops.
- 4) Make sure that the heat radiation design is effective enough if the Vcc is comparatively high or the IC operates high output power.
- 5) Connect only ground pin for signal sources to the signal GND pin of the amplifier on the previous stage.
- 6) The electric surge voltage for this IC low, therefore be extra careful when using the following pin (at 200pF):
Pin 6=+180V, Pin 9=+100V

Eff. Date	Eff. Date	Eff. Date	Eff. Date	
25-APR-2000	21-JUL-2000			