

## Excellent Integrated System Limited

Stocking Distributor

Click to view price, real time Inventory, Delivery & Lifecycle Information:

[Sumida Corporation](#)  
[CDRH5D18-100NC](#)

For any questions, you can email us directly:

[sales@integrated-circuit.com](mailto:sales@integrated-circuit.com)

**Type: CDRH5D18, CDRH5D18B/HP**

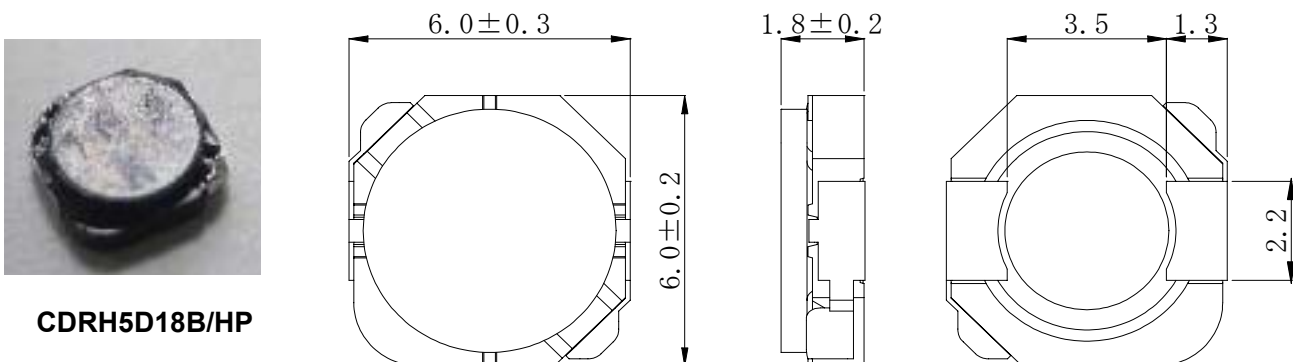
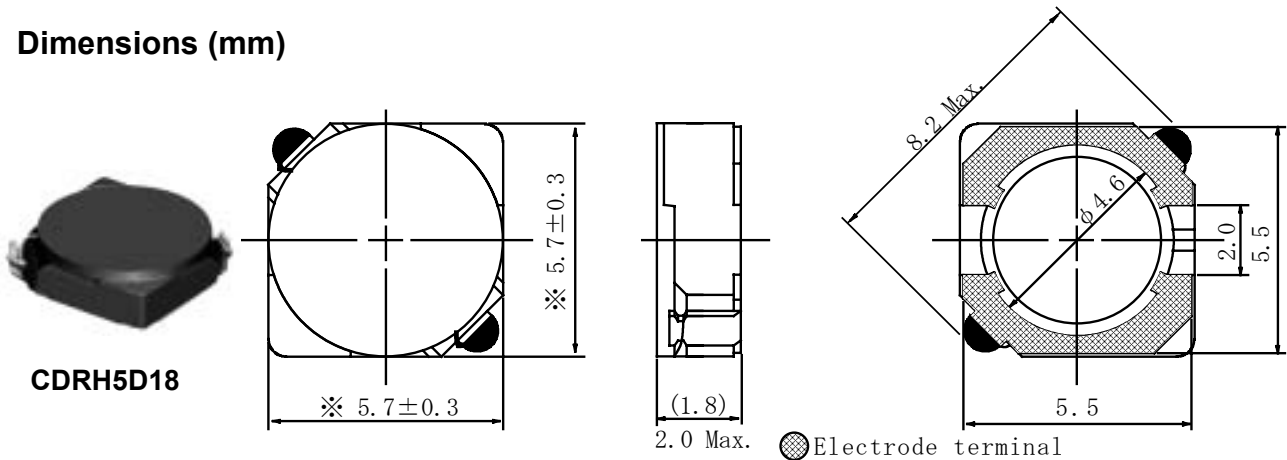
◆ **Product Description**

- 6.0×6.0mm Max.(L×W)(CDRH5D18), 6.3×6.2mm Max.(L×W)(CDRH5D18B/HP) 2.0mm Max. Height.
- Inductance Range: 4.1~100 μ H(CDRH5D18), 0.6~5.0 μ H(CDRH5D18B/HP).
- Rated current range: 0.36~1.95A(CDRH5D18),1.7~4.4A(CDRH5D18B/HP).
- In addition to the standard versions of inductors shown here, custom inductors are available to meet your exact requirements.

◆ **Feature**

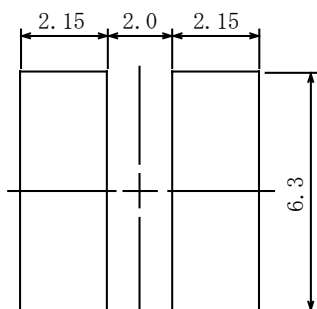
- Magnetically shielded construction.
- Ideally used in Mobile phone, MP3, PDA,HDD, DSC/DVC, Game machine, etc as DC-DC Converter inductors.
- RoHS Compliance

◆ **Dimensions (mm)**

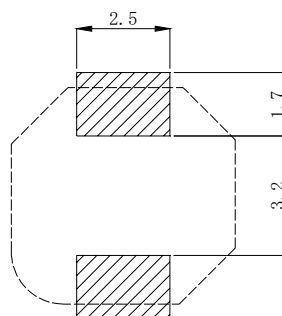


**Type: CDRH5D18, CDRH5D18B/HP**

◆ Land Pattern (mm)



CDRH5D18



CDRH5D18B/HP

◆ Specification(CDRH5D18)

Part Name ※	Stamp	Inductance(μ H) [Within] 100kHz/1V	D.C.R. (Ω) [Max.] (Typ.) (at 20°C)	Rated current (A) ※1
CDRH5D18NP-4R1N□	4R1	4.1±30%	57m (42m)	1.95
CDRH5D18NP-5R4N□	5R4	5.4±30%	76m (56m)	1.60
CDRH5D18NP-6R2N□	6R2	6.2±30%	96m (71m)	1.40
CDRH5D18NP-8R9N□	8R9	8.9±30%	116m (86m)	1.25
CDRH5D18NP-100N□	100	10±30%	124m (92m)	1.20
CDRH5D18NP-120N□	120	12±30%	153m (113m)	1.10
CDRH5D18NP-150N□	150	15±30%	196m (145m)	0.97
CDRH5D18NP-180N□	180	18±30%	210m (155m)	0.85
CDRH5D18NP-220N□	220	22±30%	290m (215m)	0.80
CDRH5D18NP-270N□	270	27±30%	330m (245m)	0.75
CDRH5D18NP-330N□	330	33±30%	385m (285m)	0.65
CDRH5D18NP-390N□	390	39±30%	520m (385m)	0.57
CDRH5D18NP-470N□	470	47±30%	595m (440m)	0.54
CDRH5D18NP-560N□	560	56±30%	665m (493m)	0.50
CDRH5D18NP-680N□	680	68±30%	840m (622m)	0.43
CDRH5D18NP-820N□	820	82±30%	978m (725m)	0.41
CDRH5D18NP-101N□	101	100±30%	1.2 (895m)	0.36



**POWER INDUCTORS <SMD Type: CDRH Series>**

**Type: CDRH5D18, CDRH5D18B/HP**

◆ Specification(CDRH5D18B/HP)

Part Name ※	Stamp	Inductance ( $\mu$ H) [Within] 100kHz/1V	D.C.R.(m $\Omega$ ) Max.(Typ.) (at 20°C)	Saturation Current (A) ※1-2		Temperature rise current (A)※2
				(at20°C)	(at100°C)	
CDRH5D18BHPNP-ØR6M□	0R6	0.6±20%	25 (19)	8.2	6.8	4.4
CDRH5D18BHPNP-1RØM□	1R0	1.0±20%	31 (24)	6.6	5.6	3.7
CDRH5D18BHPNP-1R5M□	1R5	1.5±20%	38 (29)	5.3	4.6	2.8
CDRH5D18BHPNP-1R8M□	1R8	1.8±20%	46 (35)	5.0	4.1	2.5
CDRH5D18BHPNP-2R7M□	2R7	2.7±20%	65 (50)	3.9	3.3	2.3
CDRH5D18BHPNP-3R3M□	3R3	3.3±20%	78 (60)	3.4	2.9	2.0
CDRH5D18BHPNP-4R2M□	4R2	4.2±20%	98 (75)	3.1	2.5	1.8
CDRH5D18BHPNP-5RØM□	5R0	5.0±20%	109 (84)	2.7	2.4	1.7

※ Description of part name

CDRH5D18BHPNP-ØR6M□  
 └── B Box  
 └── C Carrier Tape

※1-1. Rated current: The DC current at which the inductance decreases to 65 % of its nominal value or when  $\Delta t=30^{\circ}\text{C}$ , whichever is lower( $T_a=20^{\circ}\text{C}$ ).

※1-2. Saturation current: The DC current at which the inductance decreases to 65% of its nominal value.

※2. Temperature rise current: The DC current at which the temperature rise is  $\Delta t=40^{\circ}\text{C}$ .( $T_a=20^{\circ}\text{C}$ ).