

Excellent Integrated System Limited

Stocking Distributor

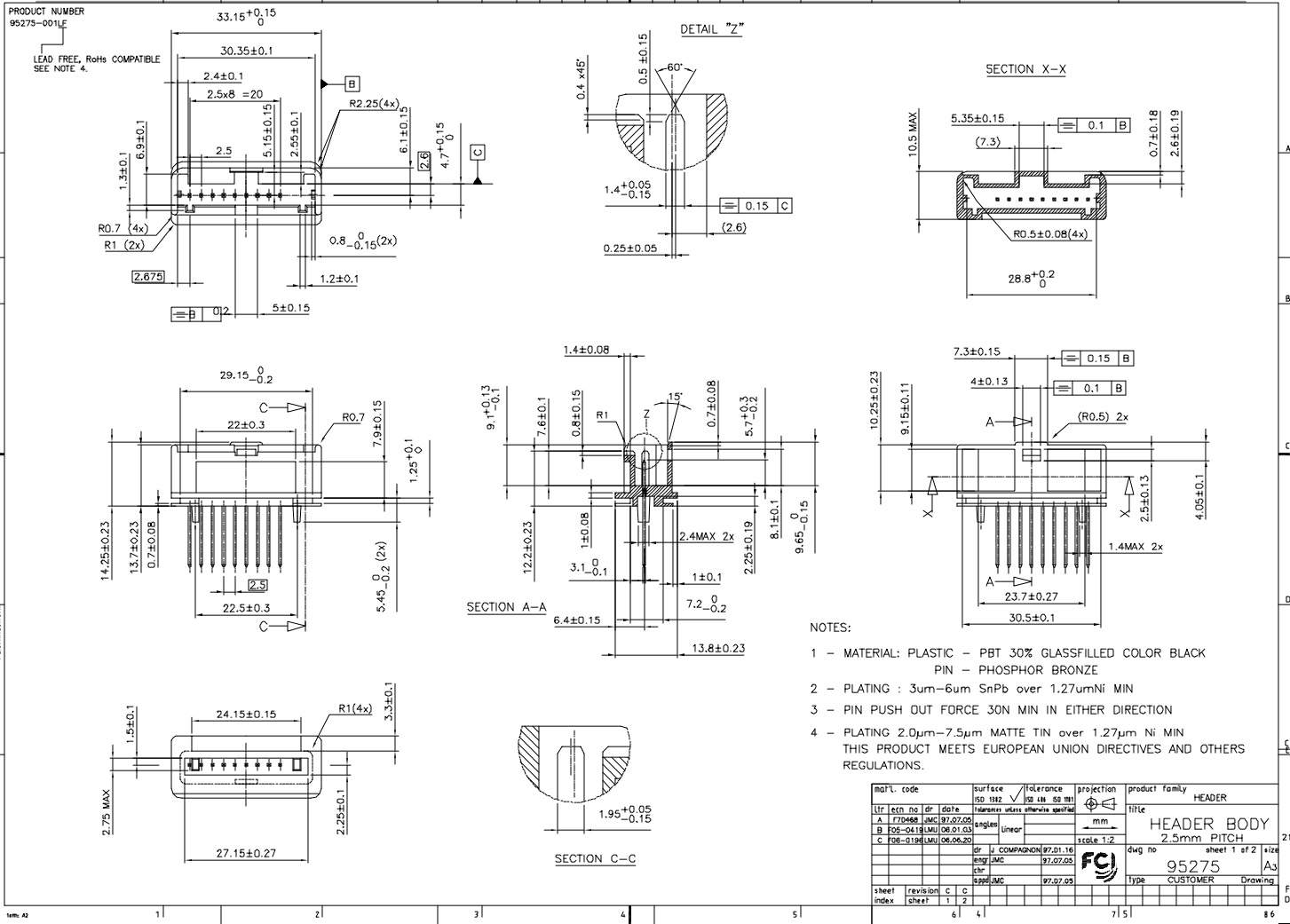
Click to view price, real time Inventory, Delivery & Lifecycle Information:

[FCI](#)

[95275-001LF](#)

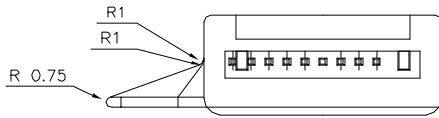
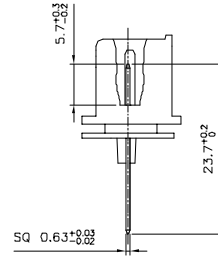
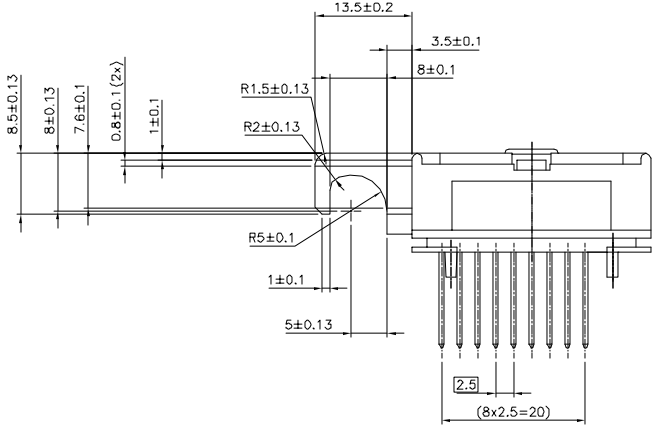
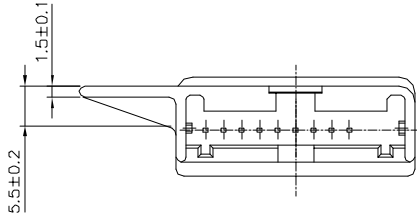
For any questions, you can email us directly:

sales@integrated-circuit.com



PRODUCT NUMBER
95275-002LF

LEAD FREE, RoHS COMPATIBLE
SEE NOTE 4, SHEET 1



mat'l. code SEE NOTE				surface ISO 1382 <input checked="" type="checkbox"/> ISO 406 ISO 1181		tolerance tolerances unless otherwise specified		projection mm		product family HEADERS	
Ltr	ecn no	dr	date	angles	linear	mm		mm		title HEADER STR, SR, CABLE GUIDE	
A	F70468	JMC	97.07.05			scale 1:1				dwg no 95275	
B	F05-0419	LMU	06.01.03							sheet 2 of - size A3	
C	F06-0196	LMU	06.06.20							type CUSTOMER Drawing	
				dr	J COMPAGNON	97.01.16					
				engr	JMC	97.07.05					
				chr							
				appd	JMC	97.07.05					
sheet index	revision sheet										