

Excellent Integrated System Limited

Stocking Distributor

Click to view price, real time Inventory, Delivery & Lifecycle Information:

[FCI](#)
[10046593-400H](#)

For any questions, you can email us directly:
sales@integrated-circuit.com

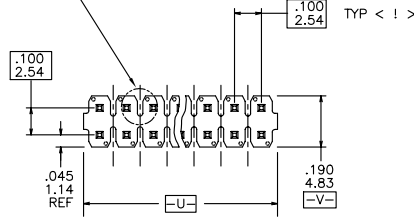
PRODUCT NUMBER

XXXXXXXX-YYY HP LF

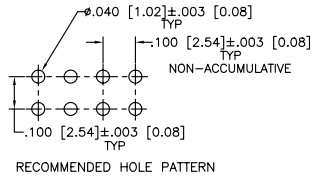
- LEAD FREE OPTION
SPECIAL OPTIONS
SEE NOTE 9
- HIGH TEMPERATURE PLASTIC
SEE NOTE 1
- NO. OF POSITIONS
SEE NOTE 3
- PIN PLATING
SEE SHEET 2
- BASE PART NO.

BERGSTRIPTM HEADER

NOTE 7



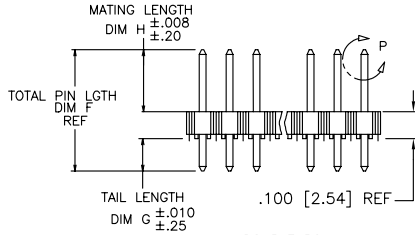
DOUBLE ROW TOP VIEW



RECOMMENDED HOLE PATTERN

NOTE 8

NOTE 5



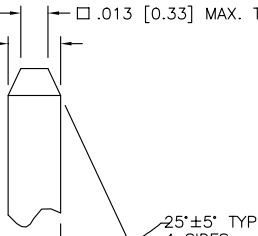
DOUBLE ROW SIDE VIEW

.0160 [.41] REF TYP

DOUBLE ROW END VIEW

NOTE 6

NOTE 4
 $\phi .020 / 0.51 \text{ (U)} \text{ (V)}$
 $\square .025 [0.64] \pm .001 [0.03] \text{ TYP}$
 $\square .013 [0.33] \text{ MAX. TYP}$



DETAIL P
SCALE 5:1
TYP BOTH ENDS

mat'l. code		surface	tolerance	projection	product family
		ISO 1302	ISO 406 ISO 1101	ASME Y14.5	BERGSTIK
ltr	ecn	ndr	date	title	
A	V04-1079	TAB	11/4/04	BERGSTRIPTM HDR. D/R	
B	M05-0212	MHT	10/7/06	.100/2.54cc STRAIGHT	
C	M06-0003	MHT	1/03/06	scale 1:1	
D	M06-0271	AGS	7/14/06	dr	T. BRUNGARD 11/4/04
E	EX-H-1686	ZK	02/19/14	engr	H. SUNDY 11/4/04
				chr	H. SUNDY 11/4/04
				appd	H. SUNDY 11/4/04
sheet	revision	E			
index	sheet	1	2		

4 PDS: Rev :E

STATUS: Released

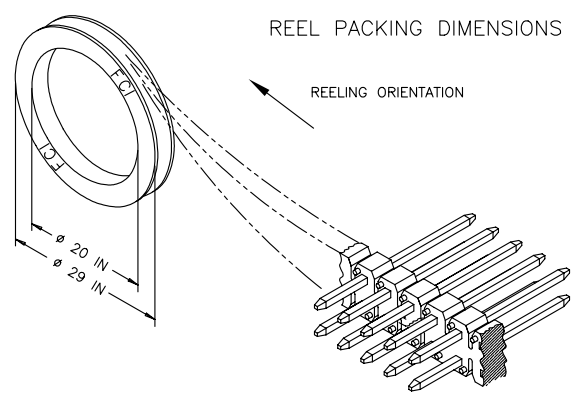
Printed: Feb 20, 2014

PRODUCT NUMBER	TOT. PIN LGTH.		TAIL LENGTH		MATING LENGTH		PACKAGING
	DIM F	DIM F	DIM G	DIM G	DIM H	DIM H	
	ENGLISH	METRIC	ENGLISH	METRIC	ENGLISH	METRIC	
10046593-XYXH	.695	17.65	.090	2.29	.505	12.83	REELS

PIN PLATING CODES:	
10046593-4XX	120u"/3.05u MIN 93/7 SnPb OVER 50u"/1.27u MIN Ni
10046593-4XXLF	100u"/2.54u MIN Sn OVER 50u"/1.27u MIN Ni

NOTES

- ① BODY MATERIAL : MANUFACTURER'S OPTION OF LCP OR PCT, GLASS FIBER REINFORCED, FLAME RETARDENT PER UL-94V-0. COLOR: BLACK
FOR HIGH-TEMPERATURE APPLICATIONS, SPECIFY AN "H" AT THE END OF THE PART NUMBER, AND PCT WILL BE SUPPLIED. BERGSTRIPTM PRODUCED WITH HIGH TEMPERATURE LCP THERMOPLASTIC, FLAME RETARDENT PER UL-94V-0. COLOR: BLACK
- ② PIN MATERIAL : BRASS.
- ③ -X00H INDICATES BERGSTRIPTM PRODUCT. SEE PAGE 1 FOR SPECIAL GEOMETRY OF THIS CONTINUOUS STRIP PRODUCT. AUTOMATED REELS WILL CONTAIN 20,000 PINS. SEE SPECIFIC PART NUMBERS FOR AVAILABILITY.
- ④ MEASURED WITH PART IN RESTRAINED CONDITION.
- ⑤ TWO SIDES OF PIN TIPS NOT PLATED. TYPICAL BOTH ENDS.
- ⑥ 2LBS/0.9KG MIN PIN RETENTION IN EITHER DIRECTION.
- ⑦ NOTCH CONFIGURATION WILL VARY PER VENDOR'S DISCRETION.
- ⑧ INDICATED SURFACES MUST BE PARALLEL TO DATUM -X- WITHIN ±4°
- ⑨ BERGSTRIPTM PART NUMBERS FOLLOWED BY BY A "B" ARE BULK PRICED.
10. POSITIONS PER ROW 37 TO 50 CAN BE PRODUCED, BUT FLATNESS AND CURVATURE MAY NOT BE HELD AS CLOSE AS 36 POSITIONS. (MAKE FROM BERGSTRIPTM ONLY)
11. THIS <!\> INDICATE CRITICAL DIMENSION FOR THIS DRAWING.



mat'l. code	surface	tolerance	projection	product family
	ISO 1302 ✓	ISO 406 ISO 1101	1st angle	BERGSTIK
ltr/ecn nbar date	tolerances unless otherwise specified			title
E	angles	.XX±.01/.3	INCH/MM	BERGSTRIPTM HDR. D/R
	linea	XXX±.005/.13	scale 1:1	.100/2.54cc STRAIGHT
	0±2'	.XXX±.0020/.051		dwg no sheet2of2 size
	dr T. BRUNGARD	11/4/04	FCI	10046593 A3
	engr H. SUNDY	11/4/04		type Product Customer Drawing
	chr H. SUNDY	11/4/04		
	appd H. SUNDY	11/4/04		
sheet index	revision sheet			