

Excellent Integrated System Limited

Stocking Distributor

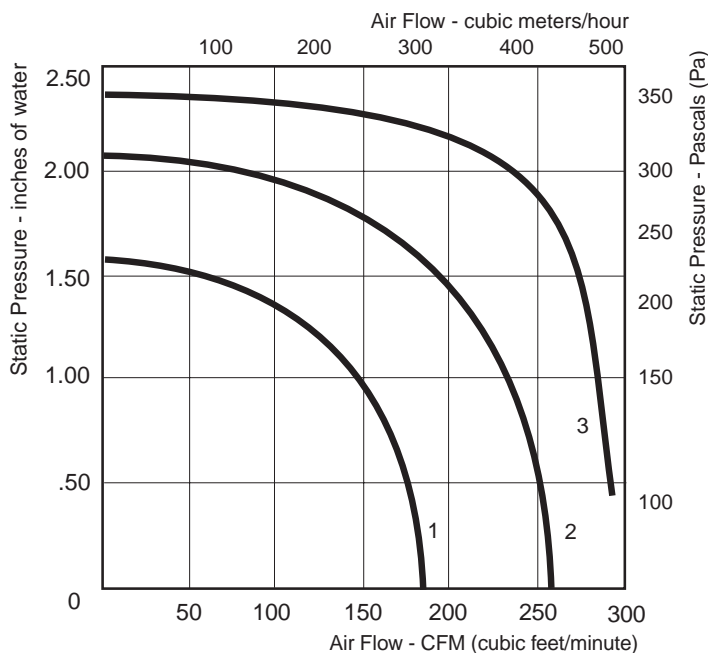
Click to view price, real time Inventory, Delivery & Lifecycle Information:

[ebm-papst Inc.](#)
[G2E146-BF01-35](#)

For any questions, you can email us directly:

sales@integrated-circuit.com

180 to 318 CFM, 115 & 230 Volt AC Single Inlet Centrifugal Blowers

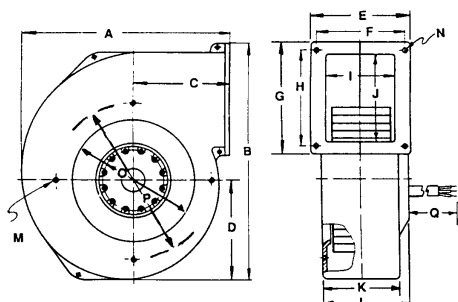


Curve Number	PART NUMBER	Volts	Hertz	Watts	Flange	Rotation**	CFM @ 0"	dBA	Temp. Max °C	Wgt. (lbs.)	Wiring Dgm#	Capacitor (µf)
1	G2E140-AL30-48	115	60	130	Yes	R	180*	60	40	7.0	A	10
1	G2E140-AL40-48	230	50/60	145	Yes	R	180*	60	40	7.0	A	2
2	G2E140-AC13-42	115	60	200	Yes	R	251	67	40	7.5	A	16
2	G2E140-AC05-42	230	60	210	Yes	R	251	67	40	7.5	A	4
3	G2E146-BF05-29*	115	60	295	Yes	R	318*	69	40	8.5	A	20
3	G2E146-BF01-35*	230	60	330	Yes	R	318*	69	40	8.5	A	5

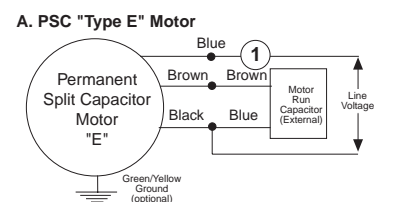
* Not to be run wide open - refer to performance curve.

**Rotation as viewed from side opposite the lead exit: R = clockwise; L = counter-clockwise

Dimensions



Wiring Diagram



① An extra capacitor can be connected in series to yield lower RPM for multi-speed requirements

Type	Notes	Dimensions inches & (millimeters)																
		A	B	C	D	E	F	G	H	I	J	K	L	M*	N	O	P	Q
G2E140-AL	2	8.90 (226)	10.28 (261)	4.06 (103)	4.21 (107)	5.12 (130)	4.53 (115)	4.72 (120)	4.13 (105)	3.70 (94)	3.62 (92)	3.94 (100)	3.94 (100)	M4	.25 (6.6)	4.65 (118)	6.22 (158)	17.72 (450)
G2E140-AC	2	8.90 (226)	10.28 (261)	4.06 (103)	4.21 (107)	5.12 (130)	4.53 (115)	4.72 (120)	4.13 (105)	3.70 (94)	3.62 (92)	3.94 (100)	3.94 (100)	M4	.25 (6.6)	4.65 (118)	6.22 (158)	17.72 (450)
G2E146-BF	2	8.90 (226)	10.28 (261)	4.06 (103)	4.21 (107)	5.12 (130)	4.53 (115)	4.72 (120)	4.13 (105)	3.70 (94)	3.62 (92)	3.94 (100)	4.09 (104)	M4	.25 (6.3)	4.94 (126)	6.22 (158)	17.72 (450)

NOTE 2: Sheet metal housing available on special order, standard housing cast aluminum * Tapped hole in aluminum housing